



OPERATION MANUAL

EN | Original

MU-Farmer 670

EDITION 2013

EDITION 11.2022

REFERENCE NUMBER MU-Farmer-670_BA_13_EN_2022-11

Machine identification

In order for your dealer to assist you as efficiently as possible, you will need to provide some information about your machine. Please enter the information here.

Designation

Working width

Weight

Machine number

Additional equipment

Dealer's address

Manufacturer's address

Müthing GmbH & Co. KG Soest
Am Silberg 23
59494 Soest
Germany

Handover declaration

- Fill out this sheet with your dealer.
- Then separate this sheet from the operating manual and send it to the manufacturer within 10 days of delivery. Only in this way will the guarantee be effective from the date of delivery

To
Müthing GmbH & Co. KG
Am Silberberg 23
59494 Soest
Germany

I have bought the machine described below from Müthing GmbH & Co. KG Soest, and confirm full delivery and handover of the machine including the operating manual and spare parts list, as well as training in operating the devices with safety instructions and warning information from your dealer.

I confirm additionally that I have read and understood the operating manual and am in agreement with the information contained therein. This applies in particular to the chapter Safety.

Client

Name		First name	
Address			
Post code		Town/city	
Telephone		Fax	
E-mail		Date	

Machine

Machine	MU-	Serial number	
Working width		Gear-box	
Rigid mounting		Non-rigid mounting	
Year of construction		Delivery date	
Delivered by			

Signature of client

Signature and stamp of sales partner

Handover declaration

Handover declaration – Copy

– This sheet remains with the client in the operating manual

I have bought the machine described below from Müthing GmbH & Co. KG Soest, and confirm full delivery and handover of the machine including the operating manual and spare parts list, as well as training in operating the devices with safety instructions and warning information from your dealer.

I confirm additionally that I have read and understood the operating manual and am in agreement with the information contained therein. This applies in particular to the chapter Safety.

Client

Name		First name	
Address			
Post code		Town/city	
Telephone		Fax	
E-mail		Date	

Machine

Machine	MU-	Serial number	
Working width		Gear-box	
Rigid mounting		Non-rigid mounting	
Year of construction		Delivery date	
Delivered by			

Signature of client

Signature and stamp of sales partner

Table of Contents

Handover declaration	3	Parking and storage	42
Handover declaration – Copy	5	Setting down the machine in a secure position	42
About this operating manual	8	Storing the machine	44
Target group	8	Maintenance	45
Safety	8	For your safety	45
Training	8	General information	46
Other applicable documents	8	Maintenance intervals and setting work	49
Symbols	9	Lubricating work	50
Safety	10	PTO shaft	52
For your safety	10	Gearbox oil	53
Warning signs	10	Tools	54
Definitions	13	V-belt	55
Who is allowed to operate the machine?	13	Additional equipment	58
Coupling	14	Stone guard	58
Centre of gravity	15	Operating hours counter	58
Road transport	17	Fault elimination	59
Putting the machine into operation	17	Disposal of the machine	61
Uncoupling the machine	19	EC Declaration of Conformity	62
Care and maintenance	19	EC Directive	
Further regulations	20	2006/42/EC	62
Familiarising yourself with the machine .	21	UK Declaration of Conformity	63
Range of application of the machine	21	UKCA	63
Features of the machine	22	Index	64
Designation of components	23		
Technical specifications	24		
Delivery and assembly	26		
Checking the scope of delivery	26		
Coupling the machine	27		
Coupling the tractor	27		
Hydraulics	30		
Electrics	30		
Wheel chocks	30		
Driving on the road	31		
Coupling the tractor	31		
Road chassis	33		
Support wheels	33		
PTO shaft	33		
Warning signs	34		
Transport without coupling	34		
Mulching	35		
Support leg	35		
Road chassis	35		
Coupling bar	36		
Support wheels	36		
Working depth	37		
Task	39		
Cleaning and care	41		
Cleaning	41		
Care	41		

About this operating manual

Target group

This operating manual is intended for trained machine operators and persons who are otherwise qualified to carry out landscape work and who have received training in how to use this machine.

Safety

Familiarise yourself with the contents of this operating manual which are relevant for your activity before commissioning or assembling the machine. Always read through the safety instructions in the chapter "Safety" and observe the warning information in the individual chapters. In this way, you will achieve optimum work results and operational safety.

For the employer

Staff must be instructed in the safe handling of the machine before the initial commissioning. Untrained or unauthorised persons are not permitted to use the machine.

The following are included in this training:

- Checking that staff possess the necessary requirements for safely handling the machine.
- Handing out the operating manual and the other relevant and applicable documents or an intensive course of training which, in particular, includes the safe handling of the machine.

Regular instruction sessions

Instruct your staff regularly, but at least once a year, concerning the basic procedural measures for safely handling the machine.

Instruction

You will receive training from your dealership concerning using the controls, safe operation and care of the machine. Commissioning without first receiving training is not permitted.

Other applicable documents

In addition to the operating manual, other documents also form an integral part of the machine:

EU-conformity declaration	Integral part of this operating manual → Chapter »EU-conformity declaration«, Page 63
Spare parts list	Integral part of the delivery with this machine
PTO shaft operating manual	Integral part of the delivery with this machine

About this operating manual

Symbols

In order to make this manual clear and easy to read, we have used various symbols. They are explained below:

- A bullet point accompanies each item in a list
- ▶ A triangle indicates operating functions which must be performed
- An arrow indicates a cross-reference to other sections of this manual
- [+] A plus sign indicates an accessory that is not included in the standard version.

Pictograms

We have also used pictograms to help you find instructions more quickly:



The warning triangle indicates warning information. Failure to observe these safety instructions can result in:

- Moderate to serious injury
- Fatal injury

You will find the warning information associated with individual operations, where it is important to observe the warning information before these operations are carried out.

You will also find safety instructions in the chapter »Safety« which cannot be assigned to any particular operations, but increase your ability to work safely in different situations.



This sign indicates important instructions regarding the machine. Failure to observe these safety instructions can result in:

- Serious faults in the correct operation of the machine.
- Damage to the machine



This symbol indicates information, tips and instructions about operation.



This symbol indicates tips for assembly or adjustment work.



This symbol indicates examples that help you to understand the instructions better.

Parts in the text which refer to individual machines or to conditions have a colored background. After the colored section, the text then applies again to all machines. For example:

Only for MU-Farmer/S with pneumatic brake system

- ▶ Connect brake hoses
- ▶ Connect hydraulic hoses

Safety

For your safety

This chapter contains general safety instructions. Each chapter of the operating manual contains additional warning instructions which are not described here. Observe the safety instructions:

- In the interest of your own safety,
- In the interest of the safety of others
- To ensure the safety of the machine

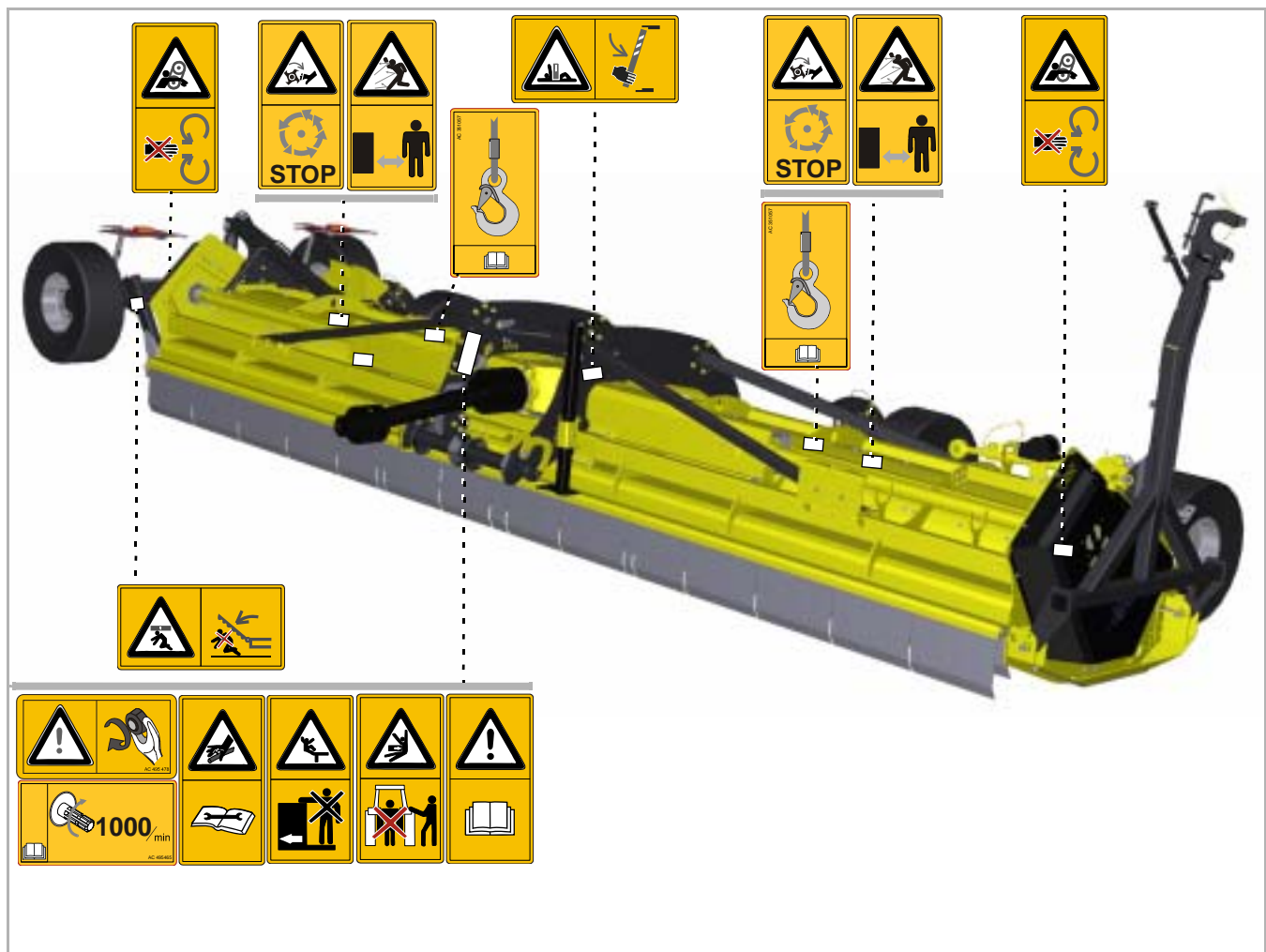
Numerous risks can result from handling landscaping machines the wrong way. Therefore, always work with particular care and never under time pressure.

For the employer

Inform personnel working with the machine of these safety instructions at regular intervals and according to statutory regulations.

Warning signs

On the machine you will find labels that serve to ensure your safety. The labels must not be removed. If labels become illegible or begin to peel off, new labels can be ordered and attached in the appropriate places.



Meaning of warning signs



Read the operating manual carefully and follow the instructions

Commissioning of the machine must not take place before the operating manual has been read and understood. This particularly applies to safety instructions.



Do not stand between the tractor and the machine

Standing between the tractor and the machine with the engine running is prohibited, especially during coupling and uncoupling. The tractor must be additionally secured against rolling away.



Riding on the machine is prohibited

It can result in serious or even fatal injury.



Proceed with great care in the event of leaking hydraulic fluid

Do not look for leakage points without correct protection. Fine oil jets could penetrate eyes and skin under high pressure. Observe the corresponding safety instructions in the operating manual.



Do not remove protective devices

Never open or remove the protective devices while the tractor's engine is running. Never operate the machine without the protective device.



Be aware of the danger of being pulled in

There is a danger of being pulled into the PTO shaft in the event of inappropriate use.



Shackles

Only raise the machine using loading equipment at the points indicated.



Rotating and trailing machine parts

Only approach the machine when all machine parts have stopped moving.



Danger of objects being thrown out

During operation, there is a danger of objects such as stones being picked up and thrown out by the machine. Ensure that no persons are present in the hazard area.



Danger from moving machine parts

Nobody is permitted to remain within the hazard area during operation.



Caution, risk of tipping

The machine or parts can tip over. Attach the safety supports before you stand in the hazard area. To uncouple, use the struts provided and position on firm ground.



Do not stand in the slewing range

There is an extreme risk of injury within the slewing range from slewing or folding machine parts.



risk of crushing

Avoid the hazard area. Gaps between components may become smaller or disappear completely.



Check the rotational speed of the PTO stub shaft

Connect PTO shaft to a PTO stub shaft with an appropriate rpm. Always switch off the PTO stub shaft when working on the machine.



Retighten screws

After the first hours of operation, and as required, all screws must be checked and tightened if necessary. Vibrations might have loosened the screwed connections.

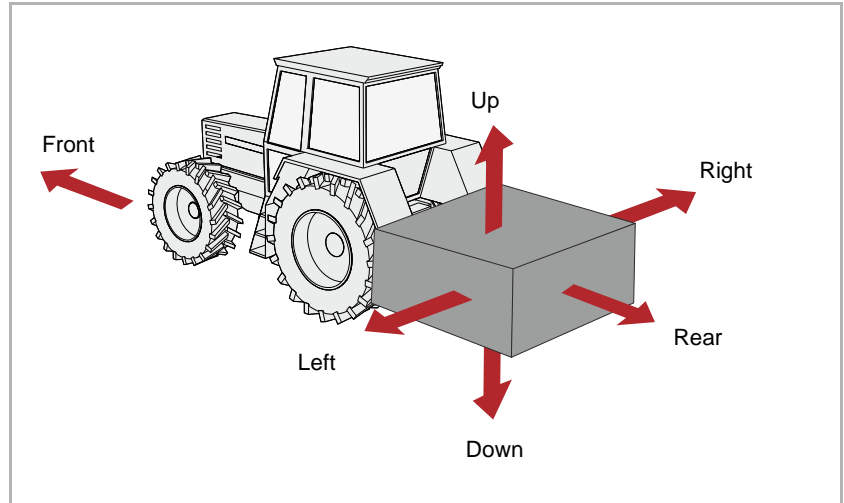


Caution, risk of explosion

The pressure accumulator contains pressurised gas and oil. Removal and repair work must only be carried out by qualified specialists.

Definitions

All direction information is given in relation to the direction of travel of the machine:



Who is allowed to operate the machine?

Only qualified personnel

Only qualified persons who have been informed of the dangers associated with handling the machine are permitted to operate, service or repair the machine. As a rule, such persons are trained and experienced in agricultural work or have been thoroughly trained in a similar fashion.

Coupling

Increased risk of injury

When the machine is being coupled to the tractor, there is an increased risk of injury. Therefore:

- Only couple the machine with the road chassis raised
- Secure the tractor against rolling away
- The tractor and machine must belong to the same category
- Never stand between the tractor and the machine during coupling
- Actuate the three-point power lift system slowly and carefully

Failure to observe these instructions can result in serious or fatal injury.

Connect electric wires or cables only after mounting the attachment

The electrical supply to the tractor must not be connected when the lighting equipment is being fitted. Short circuits and damage to the electronics are possible.

Only connect hydraulics at zero pressure

Only connect hydraulic hoses to the tractor hydraulic system if the tractor and machine hydraulic system is at zero pressure. A hydraulic system under pressure can trigger unpredictable machine movements.

High pressures in the hydraulic system

The hydraulic system is under high pressure. Regularly check all lines, tubes and screwed connections for leaks and externally visible damage. Only use suitable tools when looking for leaks. Rectify any damage immediately. Oil escaping under pressure may result in injuries and fires. In the event of injuries, seek medical attention immediately.

Color-coded hydraulic hoses

To prevent operating errors, plug sockets and plugs for hydraulic connections between the tractor and the machine must be color-coded. Wrongly connected hydraulic hoses can trigger unpredictable movements of the machine.

Centre of gravity

Observe the total weight, axle loads, tyre load-bearing capacity and minimum ballast specifications

The front or rear mounting of machines must not cause the carrier vehicle's permissible total weight, permissible axle loads, or tyre load-bearing capacity to be exceeded. The front axle must bear at least 20 % of the empty weight of the carrier vehicle to ensure steering capability.

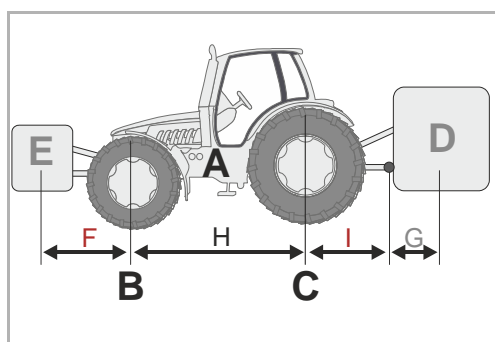
You can calculate:

- Total weight
- Axle loads
- Minimum added weight

Data

For this calculation, some data is required out of the following documents and measurement results:

- Operating manual of carrier vehicle
- This operating manual
- Measurement results from carrier vehicle and attached machine



Data from the operating manual of the carrier vehicle:

- (A) unladen weight
- (B) front axle load
- (C) rear axle load
- (H) wheel base of carrier vehicle

Please take into consideration, for example, the weight of water in the tyres, accessories, etc.

Data from this operating manual:

- (D) Total weight of the machine when rear-mounted; the supporting load with the machines attached
- (E) Total weight of the machine when front-mounted
- (G) Distance between the lower link ball midpoint and the machine's centre of gravity when rear-mounted. With machines attached, $G=0$.

Data which you can determine by measuring:

- (F) Distance between the machine's centre of gravity when front-mounted and the front-axle midpoint
- (I) distance between the rear axle midpoint and the lower link ball midpoint. For rear-mounted machines between rear axle midpoint to drawbar coupling midpoint or hitch ball

Safety

Calculation

The measured values can now be inserted into the formulas.

Ballast with front weights

Calculating the **ballast with front weights** on rear-mounted machines.

$$\text{Front ballast in kg} = \frac{D \times (I + G) - (B \times H) + (0,2 \times A \times H)}{F + H}$$

Ballast with rear weights

Calculating the **ballast with rear weights** on front-mounted machines.

$$\text{Rear ballast in kg} = \frac{(E \times F) - (C \times H) + (0,45 \times A \times H)}{H + I + G}$$

Front axle load

Calculating the **actual front axle load**

$$\text{Front axle load in kg} = \frac{E \times (F + H) + (B \times H) - D \times (I + G)}{H}$$

Total weight

Calculating the **actual total weight**

$$\text{Total weight} = E + A + D$$

Rear axle load

Calculating the **actual rear axle load**

$$\text{Rear axle load in kg} = \text{actual total weight} - \text{actual front axle load}$$

Tyre load-bearing capacity

Data on the tyre load-bearing capacity of the front and rear tyres can be found in the tyre manufacturer's documentation.

- The front tyre load-bearing capacity for two wheels is equal to twice the permissible tyre load-bearing capacity of a single front wheel.
- The rear tyre load-bearing capacity for two wheels is equal to twice the permissible tyre load-bearing capacity of a single rear wheel.

Summary

Check if the following conditions are met:

- The actual rear axle load is less than the permissible values for the axle load stated in the operating manual of the carrierer vehicle
- The actual total weight is less than the permissible values for the total weight stated in the operating manual of the carrierer vehicle
- The sum of the permissible rear wheel load capacity is higher than the real rear wheel load capacity
- The sum of the permissible front wheel load capacity is higher than the real front wheel load capacity

If all conditions are met, the machine may be attached to this carrier vehicle.



You can use a sufficiently large weigh-bridge to determine the total weight, the rear axle load and the front axle load by weighing.

Road transport

Make sure that the condition of the machine conforms to traffic regulations

The machine must conform to current traffic regulations if you intend to drive it on public roads. This includes for example:

- Lighting, warning and protective equipment must be fitted
- The permissible transport width and weight, axle load, tyre load-bearing capacity and total weight are observed

The driver and owner of the vehicle are liable if traffic regulations are not observed.

Closing ball valves

If ball valves are provided on the hydraulic lines or the chassis cylinders, the ball valves must be closed for road transport. Accidental actuation of control devices on the tractor might otherwise cause movements in the machine. Accidents or damage to the machine may be caused as a result.

Check release cable for the quick-release coupling

Release cables must hang loose and must not, when in their lowered position, release the couplings of their own accord. Attached machines might otherwise come loose from the three-point linkage of their own accord.

Riding on the machine is strictly prohibited

People or objects must never be transported on the machine. Riding on the machine poses a risk to life and limb and is strictly prohibited.

Take the change in driving and braking performance into account

Driving and braking performance is altered when the machine is attached to the tractor. Take the width and balancing weight of the machine into consideration, especially when cornering. A driving style which not adjusted to the road conditions can lead to accidents.

Drive at a suitable speed

Always adjust your driving speed to the road conditions. Driving at excessive speeds in poor road conditions may create extremely large forces, which will severely load or overload the tractor and the machine. Driving at unsuitable speeds can cause machine damage and lead to accidents.

Training required before commissioning

The machine must not be put into operation until the user has been given proper training by an employee of the dealer, a factory representative, or an employee of the manufacturer. Commissioning without training can lead to damage to the machine due to false operation or accidents can happen.

Ensure that the machine is in perfect working condition

Do not operate the machine unless it is in perfect working condition. Check all important components and replace any defective components before starting the machine. Defective components can cause damage to equipment and personal injury.

Putting the machine into operation

Do not remove the protective equipment

The protective equipment must not be removed or by-passed. Check all protective equipment before starting the machine. Unprotected machine parts can cause serious or fatal injury.

Riding on the machine is strictly prohibited

People or objects must never be transported on the machine. Riding on the machine poses a risk to life and limb and is strictly prohibited.

Height of the machine and overhead power lines

If a height of 4.00 m is exceeded when folding the machine in and out, the machine must not be folded in the vicinity of live overhead power lines. Danger of electrocution! Should the machine come into contact with a live overhead power line:

- Do not attempt to exit the tractor cabin
- Do not touch any metal parts on the tractor
- Do not create any conductive contact with the ground
- Warn all persons in the area not to approach the tractor or the machine
- Wait for help from professional emergency service personnel as power in the live overhead power line must first be switched off

Never climb onto the machine beneath live overhead power lines. The voltage can jump across even if the lines are not actually touching the machine.

Check the hazard area

The hazard area in front of and behind the machine is 30 m, and 10 m at the sides. Before driving off, folding out, and operating the machine and during operation, check its hazard area. Make sure that you have an adequate view. Do not begin work until the hazard area is cleared of any persons or objects.

Parts could be ejected from the machine at high speed in certain circumstances. The hazard area, particularly in front of and behind the machine, must be cleared of any persons, animals or objects before starting.

Any use of the machine without verification of the hazard area can lead to serious or fatal accidents.

Retighten all nuts, bolts and screws

Nuts, bolts and screws should be checked at regular intervals and tightened if necessary. Screws can come loose unnoticed while operating. Damage to the machine or accidents may be caused as a result.

What to do in the event of a fault

In the event of a malfunction, shut down and secure the machine immediately. The fault may be eliminated immediately, or a specialist workshop must be assigned the task. Further operation of the machine can lead to damage to the machine or injury to persons.

Uncoupling the machine

Increased risk of injury

There is an increased risk of injury when uncoupling the machine from the tractor. Therefore:

- Secure the tractor against rolling away
- Never stand between the tractor and the machine during uncoupling
- Actuate the three-point power lift system slowly and carefully
- Make sure the machine is standing on a secure and level surface
- Do not disconnect hydraulic hoses until there is no pressure in the tractor and machine hydraulic system

Failure to observe these instructions can result in serious or fatal injury.

Care and maintenance

Observe the care and maintenance intervals

Observe prescribed intervals for maintenance checks and inspections specified in the operating manual. If these periods are not observed, this can lead to damage to the machine, poor quality of work or accidents.

Use replacement parts with identical properties

Many components have special properties that are essential for the stability and correct operation of the machine.

When replacing components, dimensions, stability and material quality must be guaranteed. We recommend the exclusive use of original replacement parts.

Use of replacement parts which do not correspond to requirements could cause damage to the machine or impaired performance.

When performing care and maintenance work:

- Switch off the PTO stub shaft
- Depressurise the hydraulic system
- Whenever possible, uncouple the tractor
- Make sure the machine is standing securely. Provide additional support as required
- Do not use parts of the machine as climbing aids; use only secure steps, ladders or other means of access
- Secure the machine against rolling away
- Never reach into the V-belt while it is moving

It is only possible to guarantee work safety during care or maintenance work through observing these regulations.

Turn off the electrical supply

Prior to carrying out work on the electrical system, disconnect the system from the power supply. Systems supplied with electrical power can cause damage to equipment and personal injury.

Replace hydraulic hoses

Replace hydraulic hoses every six years. Hydraulic hoses can age without any externally visible damage. Defect hydraulic lines can lead to severe or fatal injuries.

Caution when cleaning with a high-pressure cleaner

The machine can be cleaned using either water or a steam jet. Only use a low pressure to clean bearings, fans, signal mixer units, plastic parts and hydraulic hoses. Excessively high pressures can cause damage to these parts.

Before carrying out welding work, disconnect the battery and alternator

Before carrying out any electric welding work on the attached machine, disconnect the tractor battery and the alternator. This avoids damage to the electrical system.

Tighten all screwed connections

All screwed connections that are released during maintenance and repair work must now be retightened. Loose screwed connections can cause bolts to undo without you noticing during your work. As a result, machine parts can become detached. Severe injury to persons or damage to equipment can result.

Further regulations

Observe the regulations

In addition to these safety instructions, observe the following:

- Accident prevention regulations
- Generally recognised safety regulations, occupational health requirements and road traffic regulations
- Information and instructions in this operating manual
- Regulations relating to operation, maintenance and repair

Familiarising yourself with the machine

This chapter contains general information on your machine as well as information on:

- Range of application
- Features
- Designation of components
- Technical specifications

Range of application of the machine

The machine may only be used for its intended agricultural or associated purpose, depending on the type of tool with which it is equipped.

Tool	Purpose
hammer flail	To cut grass, other growth or sections up to a maximum of 5 cm diameter

Since the conditions of use are very varied, the user must pay particular attention to the machine's performance limits. The machine must be switched off immediately if there is any indication of overstress.

Proper use

The machine should only be used for the designated work as described in this operating manual. Any application other than or beyond this is considered improper use.

Examples of improper use:

- Transporting persons or objects
- Cutting of any products other than those specified or those of a similar nature

→ »Range of application of the machine«

- Transferring power to other objects
- front attachment
- Working depths under 10 mm clearance from ground
- Any type of ground work

The manufacturer and dealers are not liable for damage caused by improper use. The risk is borne solely by the user.

Familiarising yourself with the machine

Features of the machine

Robust housing in optimised form

The housing is particularly robust for heavy use and is designed in an optimised form.

Drawbar

The machine is equipped with a drawbar for travelling on the road. In this way, the machine can be coupled lengthways behind the tractor.

Power transmission with minimal loss

Power is transmitted to V-belts on either side via two drive trains and protected intermediate bearing systems. The rotor is driven from there.

Internal rotor storage

Internal rotor storage prevents accumulation of dirt and minimises wear.

Tools

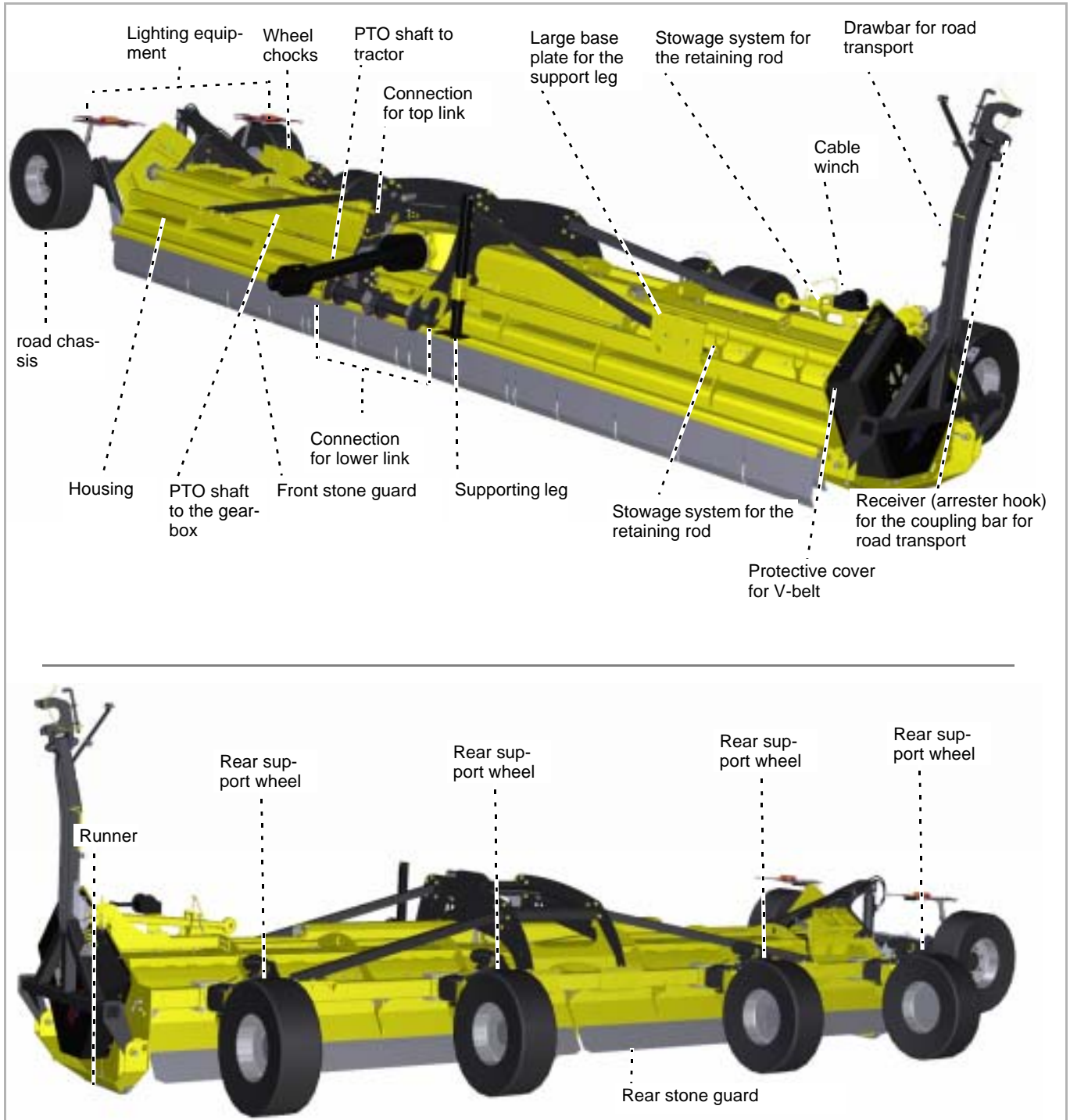
The tools are manufactured using high-quality material. Optimal shredding is achieved in conjunction with the short chopping bars.

Safety

The machine is constructed in accordance with EU regulations, for maximum possible safety of operation. The machine bears the CE mark and the UKCA mark.

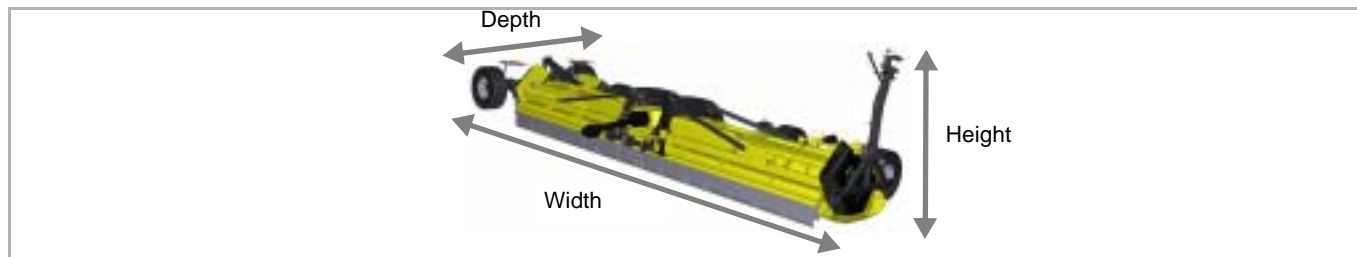
Familiarising yourself with the machine

Designation of components



Familiarising yourself with the machine

Technical specifications



		MU-Farmer 670
Height [m]		
In work position		2.60
In transport position		1,70
Width [m]		
In work position		8.20
In transport position		9.90
Depth [m]		
In work position		3.00
In transport position		2.40
Working width [cm]		
In work position		6.70
Total weight [kg]		
Depending on equipment level, approx.		4460
Center of gravity [cm]		
Dimension „G“		101
Rotational speed of rotor [rpm]		
PTO stub shaft 1000 rpm		1,600
Power requirement [kW]		
Minimum		140
Maximum permitted		220
Tractor weight [kg]		
Minimum Front-end weights may be required		8000
Working depth [mm]		
Adjustable		10-300
Number of tools		
M-hammer flail		44
Tensile strength for bolts and nuts		
For M-hamer flail		10.9
Lubricants		
Transmission oil		SAE 75 W90
hydraulic oil		HLP 36
Noise emission [dB(A)]		
In the workplace		85

Familiarising yourself with the machine

MU-Farmer 670	
Category	
Lower link category	III
Tyre pressure [bar]	
Transport wheels	5.0
Support wheels	1.5-2.5
Paint colors	
Yellow	RAL 1007
Black	RAL 9005
PTO shafts	
Between centre bearing and gear box	
Model	GSHN09600017001
To tractor	
Model	GE2604

Delivery and assembly

Checking the scope of delivery

The machine is delivered completely assembled. If parts of the machine have not been assembled, please contact your dealer.



Do not assemble the machine yourself

Do not perform assembly work yourself since requirements for an orderly condition of the machine are :

- Observance of a sequence of worksteps
- Compliance with tolerances and torques

Incorrect assembly may result in damage to the machine or poor performance.



If parts are missing or have been damaged during transportation, please submit a claim immediately to your dealer, importer or the manufacturer.



Increased risk of injury

When the machine is being coupled to the tractor, there is an increased risk of injury. Therefore:

- Secure the tractor against rolling away
- The tractor and machine must belong to the same category
- Never stand between the tractor and the machine during coupling
- When the road chassis is raised, secure both wheels at the front and the rear on the machine against rolling away
- Actuate the three-point power lift system slowly and carefully

Failure to observe these instructions can result in serious or fatal injury.



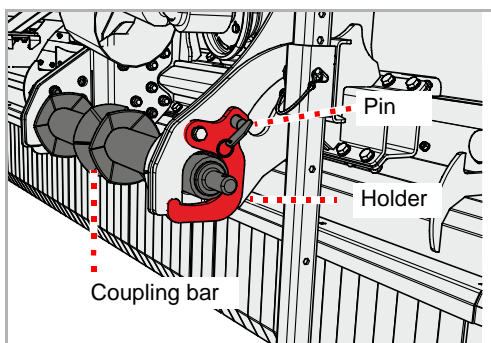
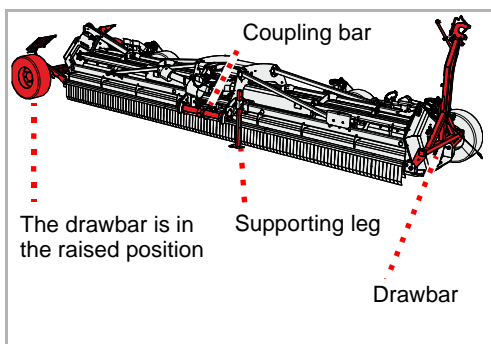
Only attach the machine to the rear

The machine may only be attached to the rear of the tractor.
The machine could be damaged if front-mounted

Coupling the tractor

Drawbar

Three-point coupling



The machine can be coupled to the tractor in two positions:

- Lengthways at the drawbar for road transport
- At the three-point coupling for use on the field or for adjustment work

→ Chapter »Driving on the road« paragraph »Coupling the tractor«, page 32

Requirements for coupling:

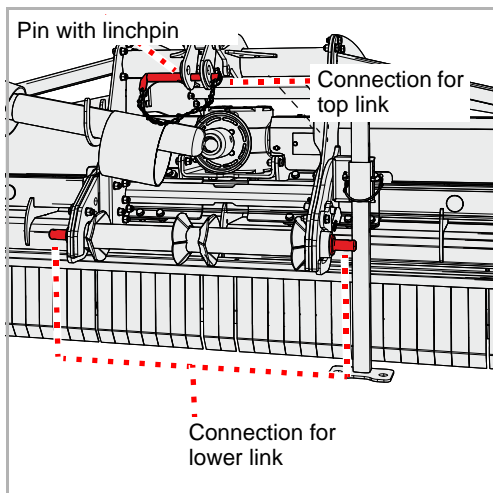
- The road chassis is in the raised position
- The drawbar is in the raised position
- The support leg is lowered
- The coupling bar is attached to the three-point coupling and the brackets on the right- and left-hand side are secured with a pin.

Coupling the machine

If one of the requirements is not in place:

- ▶ Create the requirements for coupling

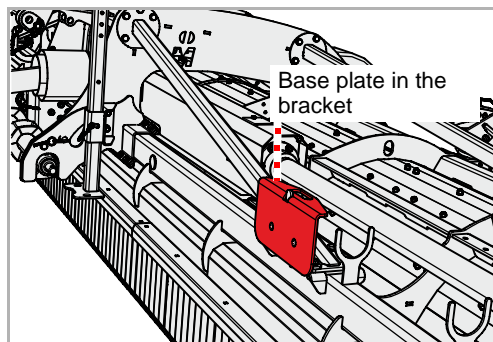
- ▶ Adjust both lower links on the tractor to the same height
- ▶ Attach lower link and secure with pin and linchpin.
- ▶ Attach top link and secure with pin and linchpin.



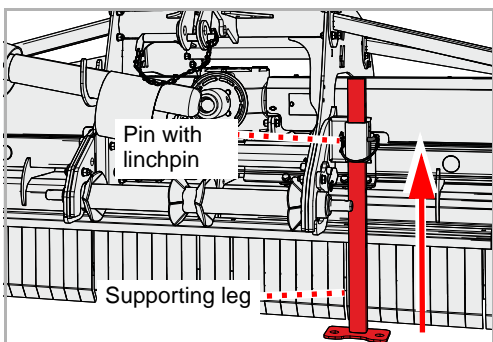
- ▶ Raise the machine slightly

If the support leg is equipped with the additional base plate:

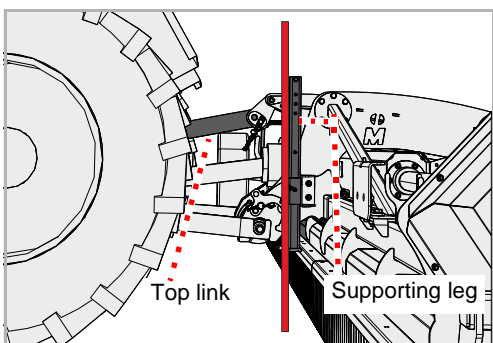
- ▶ Remove the split pins from the base plate
- ▶ Attach the base plate to the bracket and secure with the split pins



- ▶ Undo the pin and remove the pin on the supporting leg
- ▶ Pull the supporting leg upwards and lock in place in upper position with the pin
- ▶ Secure the pin
- ▶ Adjust the lower link so that the machine has little play to the left or right

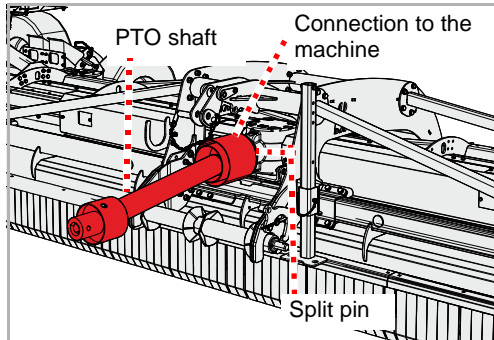


- ▶ Adjust the top link so that the support leg is positioned vertically



PTO shaft

Connection to the machine



The PTO shaft has been adjusted to fit your tractor by your dealer.

Generally, the PTO shaft is already connected to the machine. If the PTO shaft is replaced or after maintenance work to the PTO shaft, it will be necessary to connect it to the machine.

- ▶ Carefully clean and grease the PTO shaft and connection to the machine
- ▶ Push the PTO shaft onto the connection to the machine and ensure that the cotter pin locks into place on the PTO shaft

Connection to the tractor

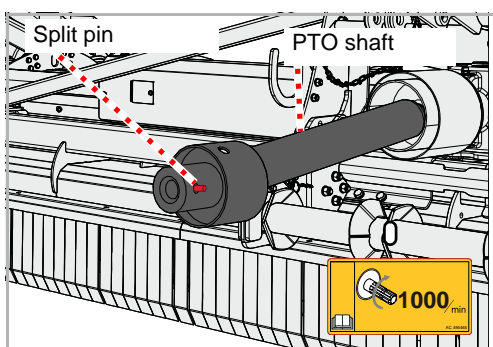
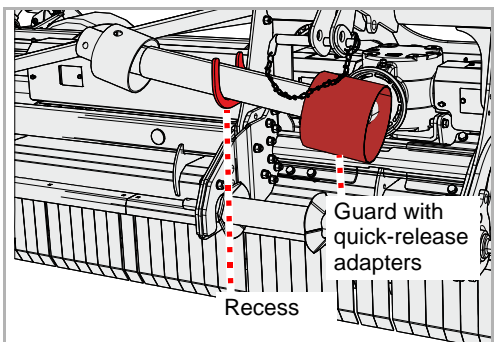


If the tractor is changed, the correct length of the PTO shaft must be checked. It is particularly important when checking the PTO shaft to ensure that the two halves of the PTO shaft continue to overlap at the position in which the PTO shaft is pulled apart furthest.

When changing the tractor, check that the PTO shaft is suitable for this tractor and if necessary, replace the PTO shaft and have it adjusted at a qualified specialist workshop.

If the PTO shaft has been placed on its stowage system:

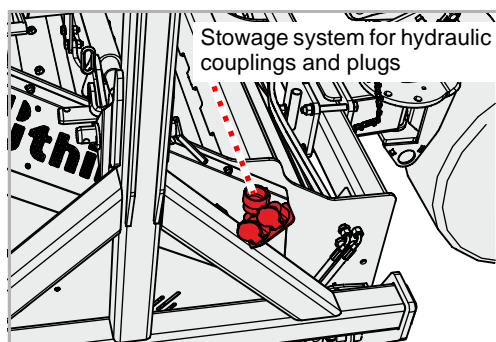
- ▶ Raise the PTO shaft slightly and take it out of its stowage system
- ▶ Slide the guard onto the connection on the machine and secure with the quick-release adapters



- ▶ Connect the PTO shaft to the PTO stub shaft of the tractor and ensure that the cotter pin is locked in place on the PTO shaft

Coupling the machine

Hydraulics



The following functions can be controlled:

Function
Raising or lowering the road chassis

- ▶ Connect the hydraulic hoses to a double-acting control valve

Electrics

If available, connect the following lines to the tractor for:

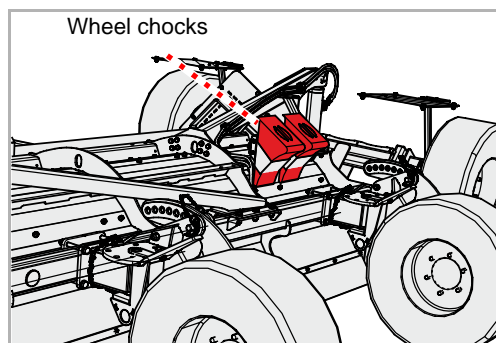
- The lighting equipment on the machine
- ▶ Check that the lighting equipment is working correctly

For indicators which are not signalling and are equipped with LEDs:



Depending on the tractor, the tractor's electrics may require regrouping in the electrical cable's plug connection. Please contact your dealer in this case.

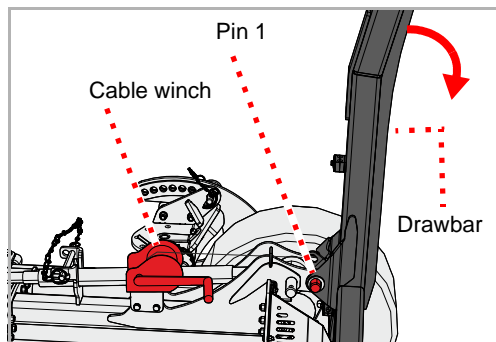
Wheel chocks



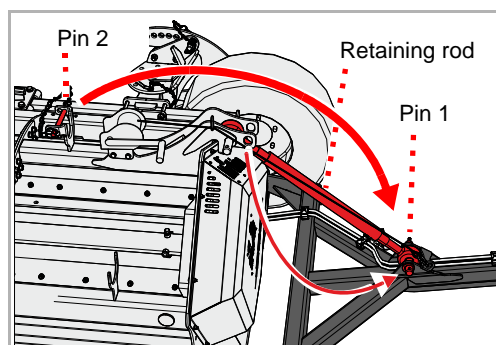
- ▶ Remove the wheel chocks from in front of the wheels
- ▶ Place wheel chocks in the brackets and secure

Coupling the tractor

Drawbar



- ▶ Remove pin 1
- ▶ Using the cable winch, lower the drawbar



- ▶ Remove pin 2 and fasten the retaining rod to the drawbar
- ▶ Lock the retaining rod in place on the drawbar with pin 1
- ▶ Secure the pin with a split pin

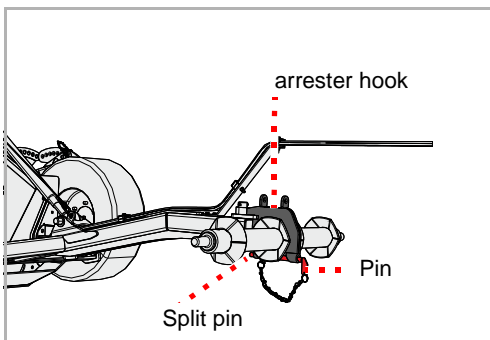
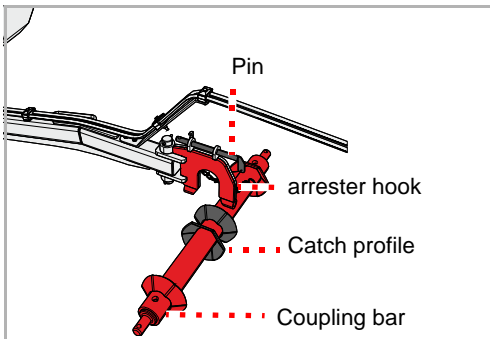
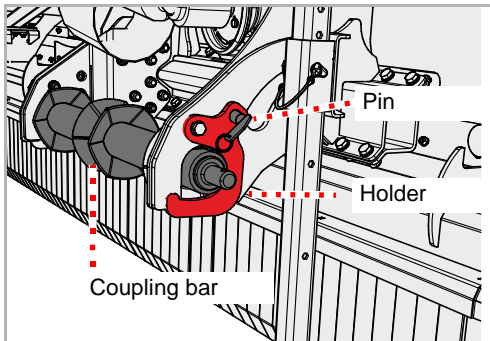
Driving on the road

Coupling bar

The coupling bar from the three-point coupling is also used for coupling the drawbar.

If the coupling bar has been attached to the three-point coupling:

- ▶ Couple the tractor's lower link to the three-point coupling
→ Chapter »Coupling the machine« paragraph »Coupling the tractor«, page 28
- ▶ Remove the pins from the brackets on the right- and left-hand side
- ▶ Fold up the brackets and secure with the pins
- ▶ Lower the lower link on the tractor
- ▶ With the coupling bar attached, drive up in front of the lowered drawbar

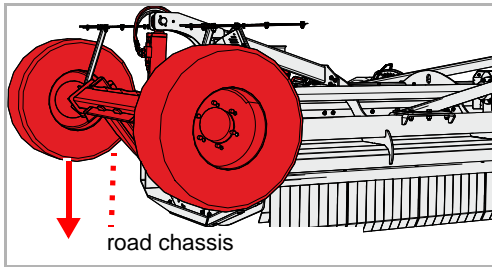


- ▶ Raise the lower link on the tractor until the catch profile of the coupling bar is positioned in the arrester hook

- ▶ Lock the arrester hook in place with the pin and secure the pin with a split pin

road chassis

The road chassis must be lowered after being uncoupled for transporting the machine.



- ▶ Completely lower the road chassis using the control device on the tractor



Close the stop valves, secure the control devices

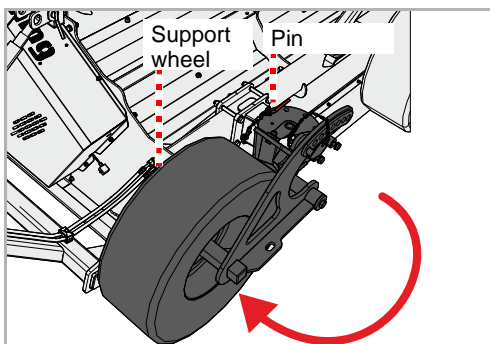
Prior to road transport, the control devices on the tractor must be secured against inadvertent actuation.

If the control devices on the tractor have not been secured, the machine may accidentally fold into the work position while travelling on the road. This can result in accidents.

- ▶ Secure the control devices on the tractor against inadvertent actuation
- Tractor operating manual

Support wheels

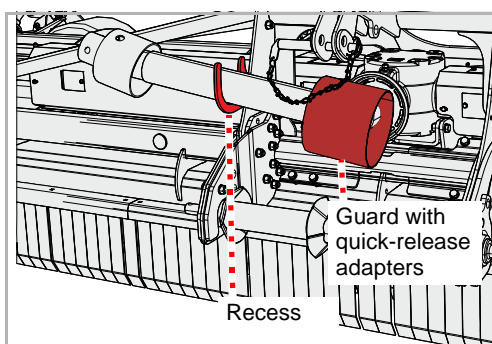
For travelling on the road, the support wheels must be set to the transport position.



- ▶ Swivel the support wheel against the machine
- ▶ Fix the support wheel with pin
- ▶ Secure the pin with a split pin
- ▶ Put all support wheels in transport position

PTO shaft

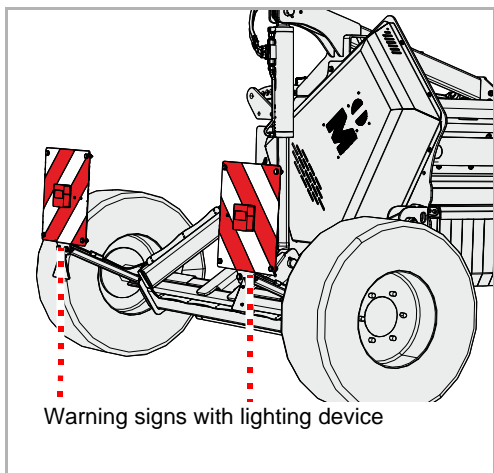
For travelling on the road, the PTO shaft must be lying on its stowage system.



- ▶ Undo the quick-release adapters and slide the guard onto the PTO shaft
- ▶ Place the PTO shaft on the recess

Driving on the road

Warning signs

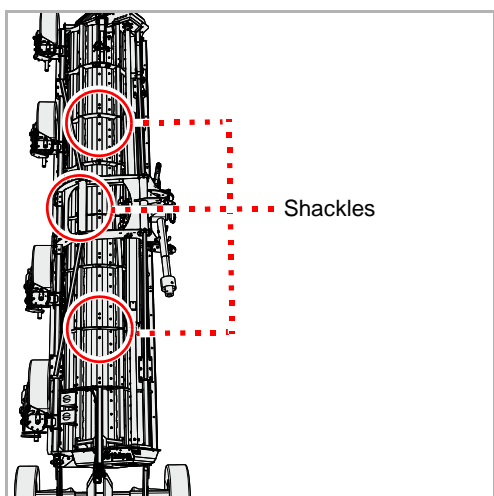


- ▶ Check warning signs
- ▶ Check lighting device for correct function

Transport without coupling

For transport on, for example, a trailer, the machine can be raised. Only use the designated points for attaching the lifting device. The machine must be securely positioned.

- ▶ Setting down the machine in a secure position
→ Chapter »Parking and storage« paragraph »Setting down the machine in a secure position«, page 43
- ▶ Attach suitable lifting devices to the lifting eyes
- ▶ Raise the machine with suitable lifting gear and position on the loading bed
- ▶ Secure the machine against slipping



Before travelling on the road, the machine must be set to the working position. To do this, the machine must be set down. When selecting the area for setting the machine down, check that the surface is level and capable of bearing the load.



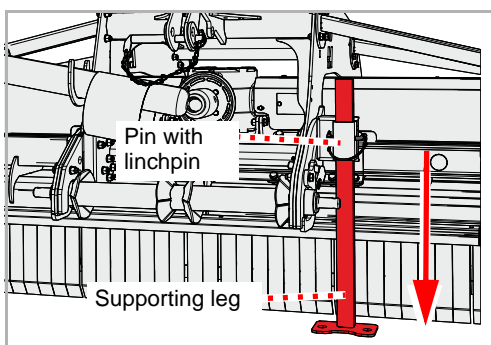
Proof surface

Before parking the machine, check the surface for sufficient load-bearing capacity. The supporting leg must not sink in when parked. *If the supporting leg sinks in, coupling the machine may become impossible.*

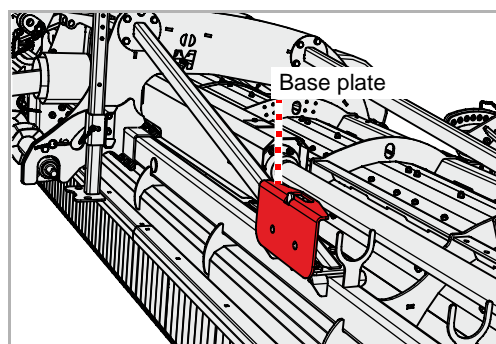


The support leg may be fitted with a base plate. Even if the base plate is used, the machine cannot be set down on every surface.

Supporting leg



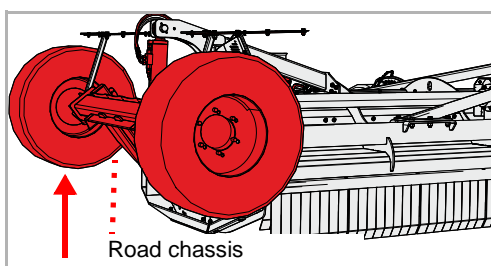
- ▶ Undo the pin and remove the pin on the supporting leg
- ▶ Push the parking leg down and fix it in the lower position with the bolt
- ▶ Secure the pin



If the surface is not capable of bearing the load:

- ▶ Remove the split pins from the base plate
- ▶ Attach the base plate to the support leg and secure with the split pins

Road chassis

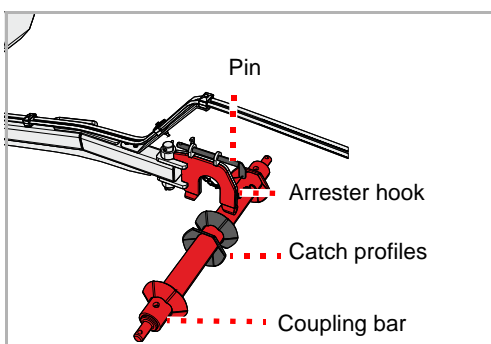
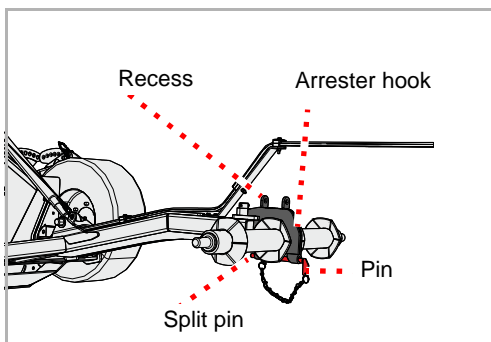


For mulching, the road chassis must be raised after travelling on the road.

- ▶ Completely raise the road chassis using the control device on the tractor
- ▶ Disconnect the hydraulic couplings and the plugs for the lighting system from the tractor

Mulching

Coupling bar



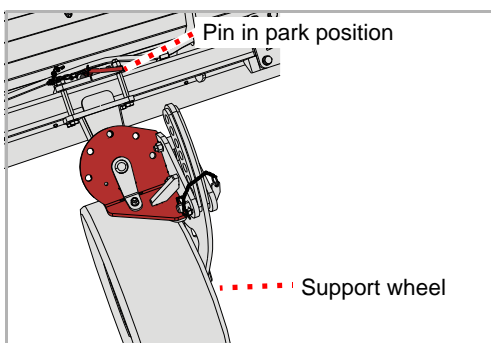
If the coupling bar has been attached to the drawbar:

- ▶ Remove the pin from the arrestor hook
- ▶ Place the pin in its stowage system and secure it with a split pin

- ▶ Lower the lower link on the tractor until the coupling bar is clear of the arrestor hook

- ▶ Couple the tractor to the three-point coupling on the machine
→ Chapter »Coupling the machine«, section »Coupling the tractor«, page 28

Support wheels



The support wheels must be set in working position. In working position, the support wheels can move freely.

- ▶ Remove the pin
- ▶ Insert the pin in park position
- ▶ Secure the pin with a split pin
- ▶ Put all support wheels in working position

Working width

The working depth can be set to between 10 mm and 300 mm. The optimal working depth for most applications is between 60-80 mm.



Tools must not come into contact with the ground

Any contact with the ground could result in stones or other material not being held back safely by the stone guard.

Ejected material can also injure people outside the safety area.



Do not go below the minimum working depth

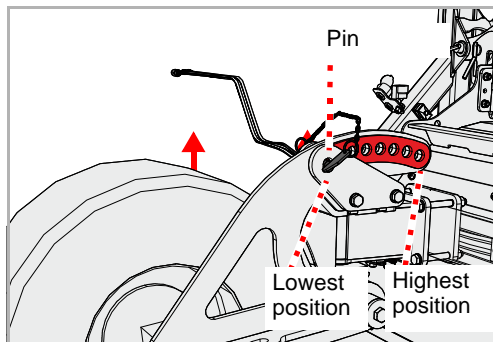
The working depth must not be below 10 mm.

Working depths below 10 mm may result in the machine becoming damaged by excessive wear.

Carry out working depth equally on all support wheels

Set the same working depth on all support wheels.

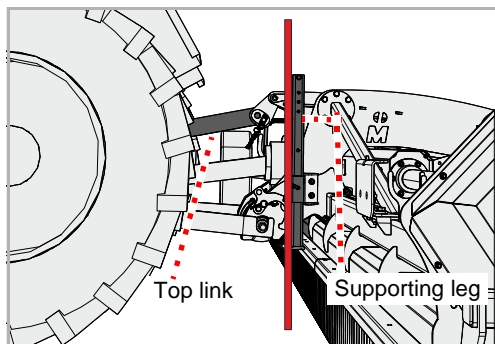
The machine will be damaged if the support wheels are set differently.



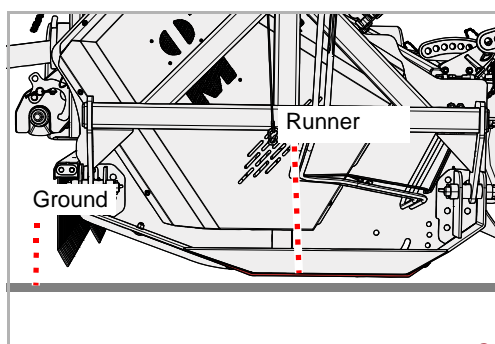
- ▶ Remove the split pin from the pin
- ▶ Remove the pin
- ▶ Select the required position
- ▶ Adjust the support wheel as required
- ▶ Lock the support wheel in place with the pin
- ▶ Secure the pin with a split pin
- ▶ Set the same adjustment on all support wheels

Mulching

Top link, lower link



- ▶ Adjust the top link so that the support leg is positioned vertically

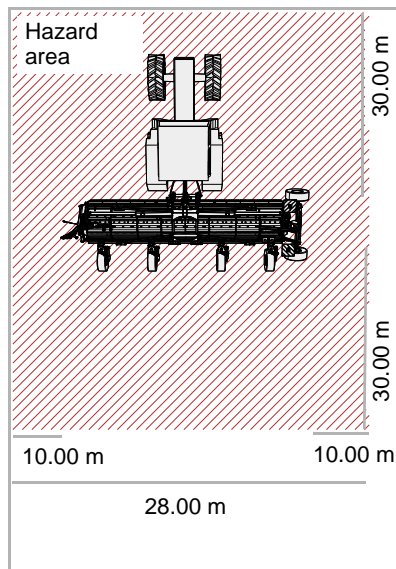


- ▶ Adjust the height of the lower links via the tractor's three-point linkage so that the machine's runner is parallel to the ground.

Do not lean the machine forwards

The machine must not lean forwards when operating.
A machine that is inclined forward may become blocked, operate incorrectly or be damaged.

Task



Check the hazard area

The hazard area in front of and behind the machine is 30 m, and 10 m at the sides. Before driving off, operating the machine and during operation, check its hazard area. Make sure that you have an adequate view. Do not begin work until the hazard area is cleared of any persons or objects.

Parts could be ejected from the machine at high speed in certain circumstances. The hazard area, particularly in front of and behind the machine, must be cleared of any persons, animals or objects before starting.

Any use of the machine without verification of the hazard area can lead to serious or fatal accidents.

Assess the dust exposure levels

If the ground and the material to be mulched are dry, you may be exposed to dust. Dust exposure can be avoided by taking into account the direction of the wind. If dust exposure cannot be avoided, you can protect yourself by wearing a dust mask. If these measures are not sufficient, use a tractor with an enclosed cab and a dust filter.

Dust exposure may lead to respiratory diseases.



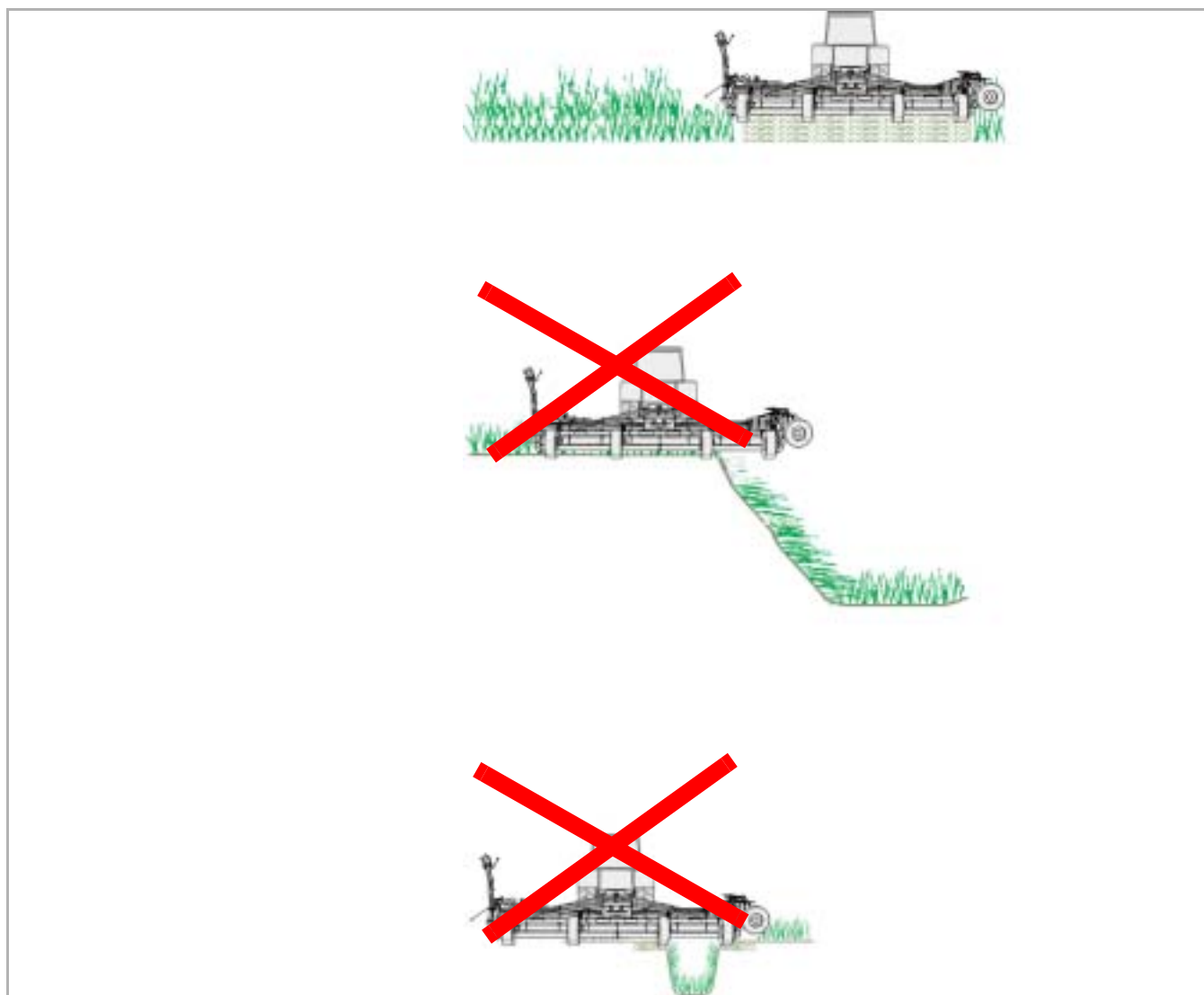
Only work forwards

The machine may only be located in work position when moving forwards. The machine must be raised up when reversing.

A machine in work position when reversing could result in serious damage to the machine.

Mulching

Particular care should be taken by the operator when working with the mulcher. Working on ditches, overhangs or slopes are activities which tend to be particularly hazardous. We can only give general instructions, the actual situation must be evaluated by the operator.



- ▶ Switch the PTO stub shaft into the work position and slowly bring the machine to the rated speed
- ▶ Then drive at low speed into the stock, increase speed slowly. Pay attention to the machine while doing this.

If the machine is working too hard:

- ▶ Reduce speed
- ▶ Drive at a suitable speed. The speed must be appropriate to the growth and the type of terrain.

Cleaning

A high-pressure cleaner, for example, can be used to clean the machine. Never point the water jet directly at the labels or type plate.



Only use low pressure to clean the bearings

Clean the bearings and gear box using low pressure only.

Care

To ensure the machine's long service life, we recommend applying a protective coating of oil after the end of the season and during storage.



Use only approved and biodegradable oil, e.g. rapeseed oil.

Parking and storage

Setting down the machine in a secure position



Ensure that there are no unauthorised persons can enter the set-down location

If the machine is set down coupled or uncoupled on the tractor, the set-down location must be selected to ensure that no unauthorised persons can enter.

Persons could be injured by coming into contact with parts of the machine or by manipulating the machine.



Select the set-down location carefully

The set-down location must be relatively even and the ground must be solid.

Uneven or soft ground could result in the machine rolling away and becoming damaged.

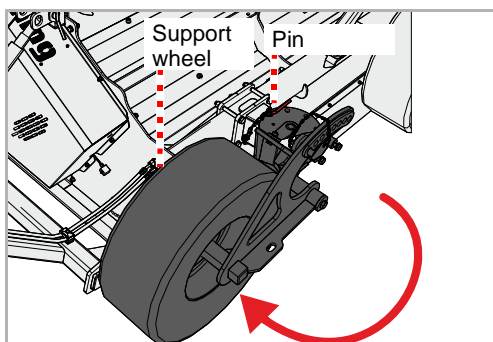
Requirements on the set-down location:

- Horizontal, solid surface
- Sufficient room on all sides
- Protected against access by unauthorised persons, such as children

The machine is prepared for setting down safely in several stages:

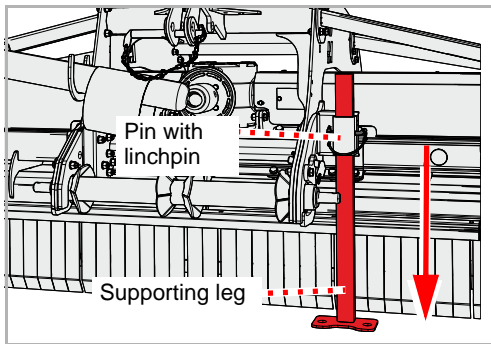
If the support wheels are not in the transport position:

- ▶ Swivel the support wheel against the machine
- ▶ Fix the support wheel with pin
- ▶ Secure the pin with a split pin
- ▶ Put all support wheels in transport position



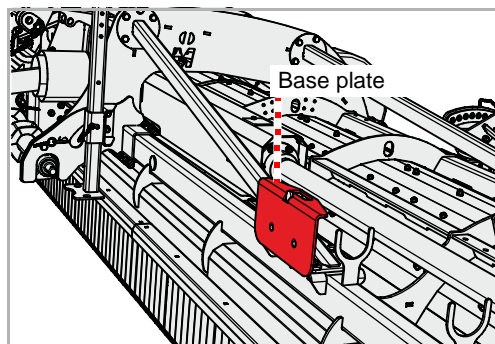
1. Lower the support leg
2. Raise the road chassis
3. Disconnect electrical cables and hydraulic hoses from the tractor
4. Uncouple the drawbar and set it to the park position

1. Parking leg



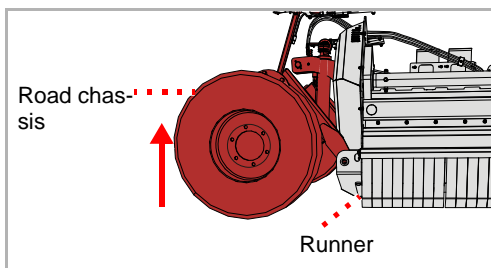
- ▶ Undo the pin and remove the pin on the supporting leg
- ▶ Push the parking leg down and fix it in the lower position with the bolt
- ▶ Secure the pin

If the surface is not capable of bearing the load:



- ▶ Remove the split pins from the base plate
- ▶ Attach the base plate to the support leg and secure with the split pins

2. Road chassis



- ▶ Using the control device on the tractor, raise the road chassis until the runners are resting on the ground. The wheels of the road chassis should also make contact with the ground.
- ▶ Lay wheel chocks in front of and behind a wheel

3. Electrics and hydraulics

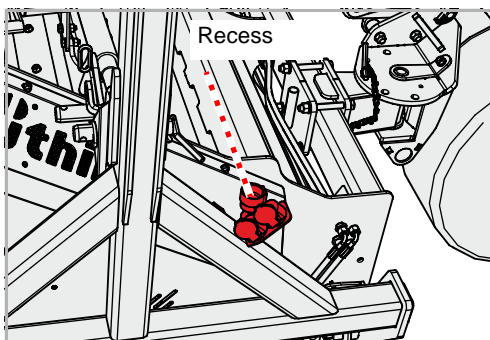


Only uncouple hydraulic hoses when they are depressurised

When the hydraulic hoses are uncoupled, they must be depressurised.

It may no longer be possible to couple hydraulic hoses which were uncoupled while still pressurised.

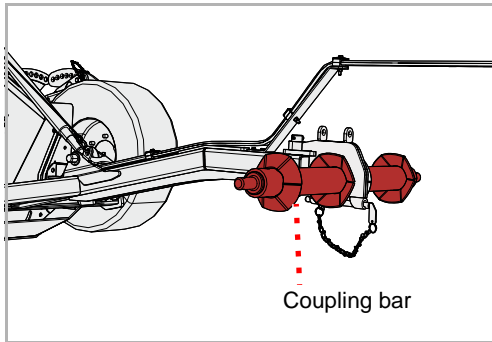
- ▶ Disconnect electrical cables and hydraulic hoses from the tractor's connections
- ▶ Place plug connection on the recess



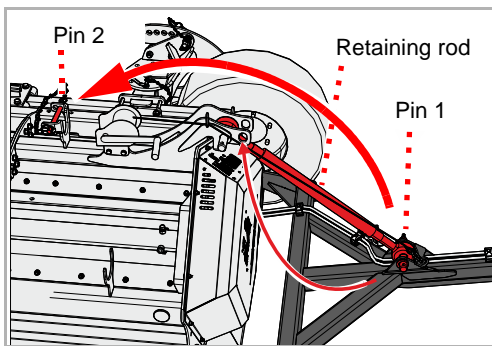
Parking and storage

4. Drawbar

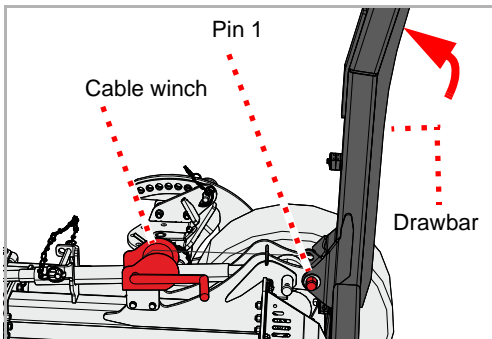
The coupling bar can remain either on the drawbar or on the tractor. The removal operation described here is for when the coupling bar remains on the drawbar.



- ▶ Remove the split pins from the coupling bar on the right- and left-hand side
- ▶ Lower the lower link on the tractor until the coupling bar is clear



- ▶ Remove pin 1 and lock the retaining rod in place in the bracket with pin 2
- ▶ Secure the pin with a split pin



- ▶ Using the cable winch, raise the drawbar
- ▶ Lock the drawbar in place with pin 1
- ▶ Secure the pin with a split pin

Storing the machine

After cleaning, the machine should be stored in transport position in a dry location and on a level and stable surface.

→ Section »Setting down the machine in a secure position«, Page 43



Apply a protective coating of oil during storage. Use only approved and biodegradable oil, e.g. rapeseed oil.

→ Chapter »Cleaning and care«, starting at page 42

For your safety

Special safety instructions



Requirements for conducting maintenance work

Only perform the maintenance work if you have the required expert knowledge and suitable tools.

A lack of specialist knowledge or the use of unsuitable tools can cause accidents.

Protect the machine from being started up accidentally

If the machine is coupled, only carry out repair and maintenance work and only rectify malfunctions on it if:

- The PTO stub shaft is off
- The engine is switched off
- The ignition key is removed

Serious accidents may be caused if the machine starts accidentally.



Welding work

Welding work may only be carried out by persons trained in welding who also have specialist knowledge of repairing agricultural machinery. Welding work which negatively impacts the machine's construction is prohibited.

Incorrect welding work could impair or destroy the machine's function. If in doubt, contact your dealer before carrying out any welding work.

Use replacement parts with identical properties

Many components have special properties that are essential for the stability and correct operation of the machine.

When replacing components, dimensions, stability and material quality must be guaranteed. We recommend the exclusive use of original replacement parts.

Use of replacement parts which do not correspond to requirements could cause damage to the machine or impaired performance.

Maintenance

Protective measures when handling oils or lubricants

Additives in oils and lubricants may have adverse effects on health. Since the hazardous material code does not require any special identification, please always observe the following:



Avoid skin contact

Avoid skin contact with these materials.
Contact can result in skin damage.

Protect your skin

When handling oils and lubricants, protect your skin with lotion or wear oil-resistant gloves.
Oils can be hazardous to your health.

Do not use oils for cleaning

Do not use oils or lubricants to clean your hands.
Swarf and abraded material in these materials can also result in injuries.

Change out of soiled clothing

Change out of clothing that is heavily soiled with oil as soon as possible.
Oils can be hazardous to your health.



- Collect old oil and dispose of it in accordance with statutory regulations.
- If your skin becomes irritated by oil or lubricants, contact a doctor immediately.

General information

This information relates to general maintenance work. For all maintenance work, the machine must be locked in the work position. If it is necessary to put the machine in its transport position for maintenance work, you will see an appropriate reference in the maintenance instructions.



Working with the grease gun:

One or two strokes with the grease gun are sufficient for lubrication. If you feel resistance during the second stroke of the grease gun, do not complete it.

Too much grease will force the bearings apart. This could allow dust and dirt to enter the bearing, resulting in premature wear.

Fundamentals

The following table contains a brief explanation of the most important terms used for maintenance.

Task	Version
Greasing	<ul style="list-style-type: none"> Apply grease to the slide surfaces using a brush
Lubrication	<ul style="list-style-type: none"> 1 - 2 Unless specified otherwise, one or two strokes with the grease gun provide sufficient lubrication
Oiling	<ul style="list-style-type: none"> Unless otherwise specified, use only vegetable-based oil such as rapeseed oil Mineral oils are not suitable The use of used oil will endanger your health and is also strictly prohibited
Replacement	<ul style="list-style-type: none"> Replace the component in question according to the instructions in the »Maintenance« chapter
Check	<ul style="list-style-type: none"> An inspection may be required in conjunction with the replacement of the component in question
Observe the maintenance intervals	<ul style="list-style-type: none"> All information is based on average machine usage In the case of heavy usage (e.g. contract work), shorten the maintenance intervals accordingly Shorter maintenance intervals may also be required under extreme working conditions (e.g. heavy dust generation)

Maintenance

Screwed connections

Retighten screws

All bolts must be retightened:

- After the first hours of operation
- According to the frequency of use
- But at least once a season

General tightening torques

Tighten all screwed connections in accordance with the information in the table. If different tightening torques are necessary, they are specified in the chapter »Maintenance«. The minimum quality of the bolts is 8.8.

Bolt size	Quality of the bolts		
	„8.8“	„10.9“	„12.9“
	Tightening torques in Nm		
M6		14	17
M8	24	34	41
M10	48	68	81
M12	85	120	145
M16	210	290	350
M20	425	610	710
M24	730	1050	1220

Maintenance intervals and setting work

The information relates to average usage under the machine's normal operating conditions. Maintenance intervals are shorter for heavy usage, such as with hire companies, or for extreme operating conditions such as very dusty environments.

	After the first hours of operation	Once daily	After 30 hours of operation	After 75 hours of operation	Once per season	As required	In case of wear	grease / oil / lubricate	Check	Replacement	Cleaning
General											
Retighten all screws	•					•					
Visual inspection	•	•									
Bearing		•				•		•			
Pivots		•							•		
Hydraulics											
Hydraulic hoses Every 6 years										•	
Hydraulic hoses General						•	•			•	
Hydraulic cylinder				•		•		•	•		
Tools											
Fastenings on the rotor		•							•		
Condition, wear		•							•		•
Other											
Position of rotor		•									
Wheels bearings		•									
Shafts and pins			•								
PTO shaft Protective cover		• •				• •		• •	• •	• •	• •
Transmission oil		•			•				•	•	

Maintenance

Lubricating work

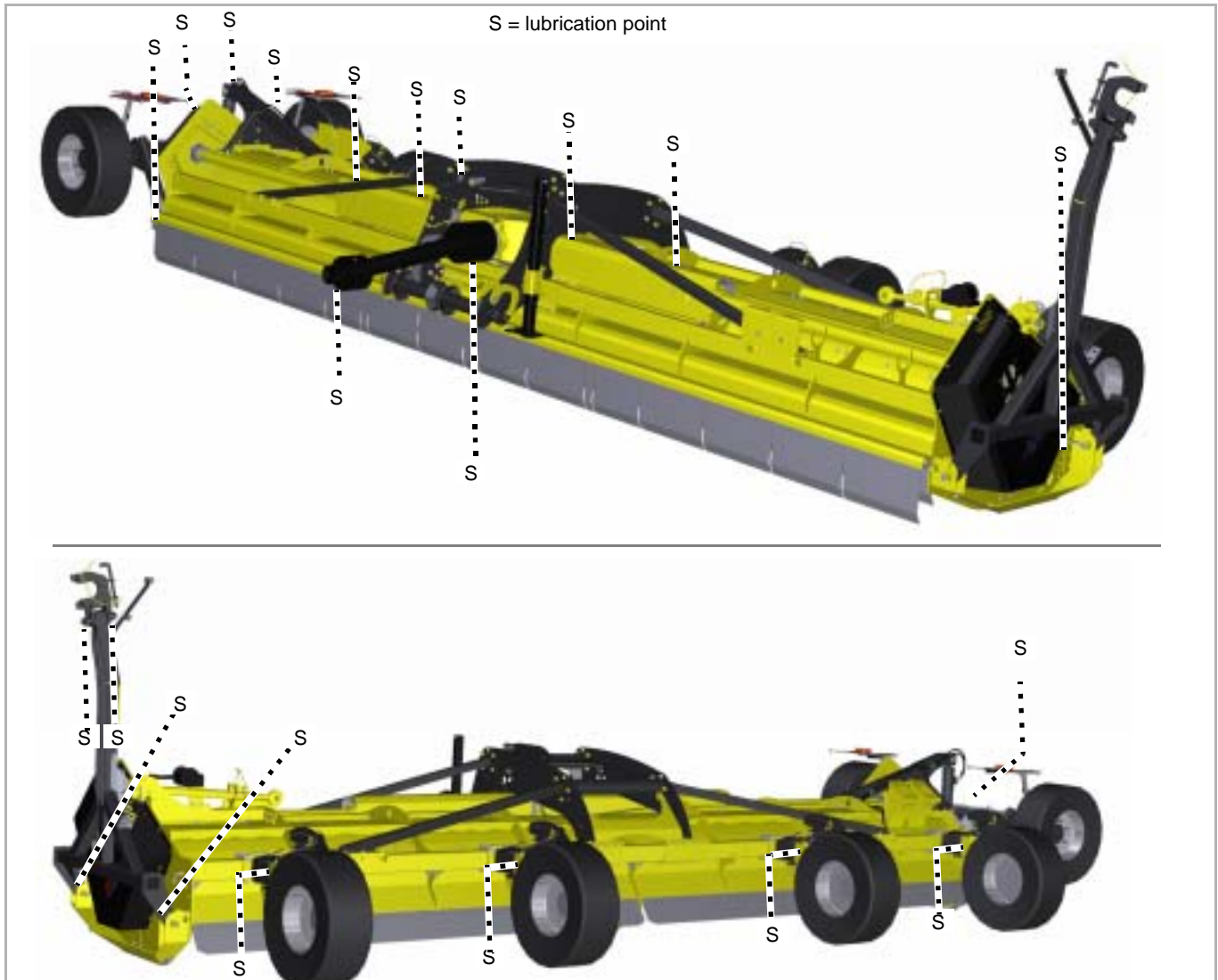
Lubricate bearings

The bearings must be lubricated regularly. Lubricate only with 1 - 2 strokes from the grease gun:

- According to the maintenance chart
- After heavy use
- But at least once a season

Bearings that require no maintenance must not be lubricated.

Overview of lubrication points



Other lubrication points

The following applies:

- In addition to the lubrication points shown in this operating manual, your machine may have other lubrication points
- As a rule, lubrication points are located at pivots or bearings. Therefore, inspect your entire machine for any such additional lubrication points.



The location of the lubricating nipple is usually shown on one component as an example. If multiple components of this kind exist, the lubricating nipples have to be lubricated at each of these components.

Maintenance

PTO shaft

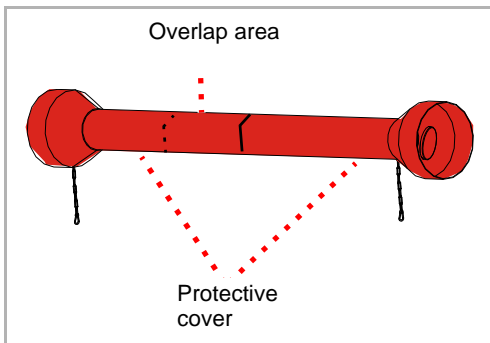
The PTO shafts are heavily stressed. This means that regular maintenance is decisive for the PTO shafts' service life. Only the most important work is shown here.

Full maintenance work on the PTO shaft:

→ PTO shaft operating manual

Checking

Daily



- ▶ Check the PTO shaft for contamination and clean if required. Dust in conjunction with oil and grease results in increased wear

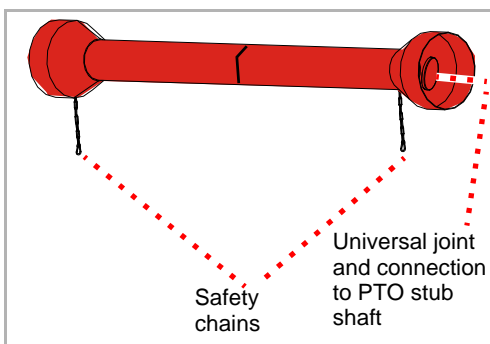
If the PTO shaft is heavily contaminated:

- ▶ Clean PTO shaft
 - ▶ Grease the interior of the overlap area of the protective cover
- PTO shaft operating manual

- ▶ Check protective cover for damage

If the protective cover is damaged:

- ▶ Replace protective cover
- PTO shaft operating manual



- ▶ Check presence and correct function of safety chains

If the safety chains are not present or are heavily worn:

- ▶ Replace the safety chains
- PTO shaft operating manual

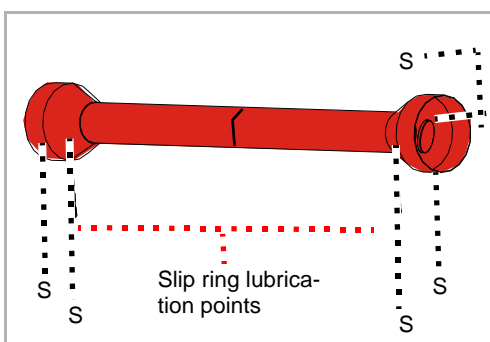
- ▶ Check the PTO shaft for wear in the universal joints and at the connection to the PTO stub shaft

If the universal joints are heavily worn:

- ▶ Replace the universal joints
- PTO shaft operating manual

Lubrication

Every 50 hours of operation



In case of heavy usage or in extreme operating conditions, such as a very dusty environment, more frequent lubrication is required.

- ▶ Lubricate in the universal joint with 1 - 2 strokes of the grease gun.
- ▶ Lubricate on the slip rings with 1 - 2 pumps of the grease gun

For wide-angle PTO shafts:

The wide-angle joint contains a lubricant reserve which must be filled with 400-500 g [14-17 OZ] of grease.

- ▶ Lubricate with at least 5-6 pumps of the grease gun
- PTO shaft operating manual

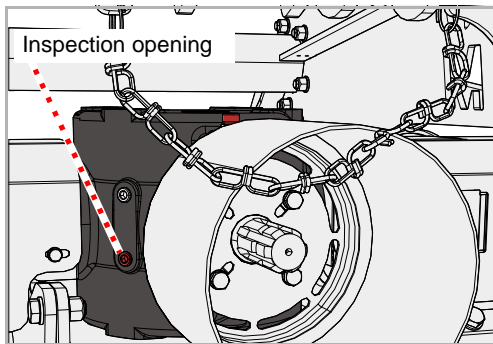
Transmission oil

The gearbox oil must conform to the specification.

→ Chapter »Familiarising yourself with the machine« paragraph »Technical specifications«, page 24

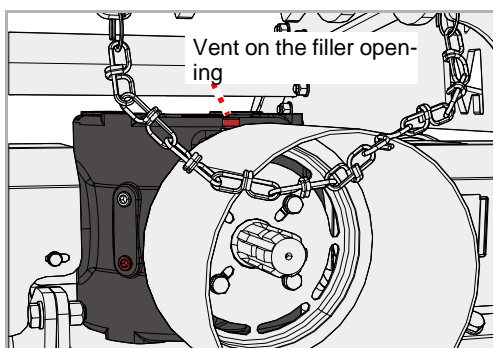
Check

Twice per season



- ▶ Loosen the screw on the inspection opening with an Allen key and remove the screw
- ▶ Check the oil level. The oil level must reach the lower edge of the inspection opening.

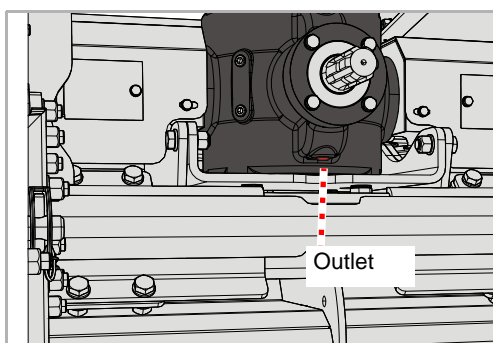
Refilling



- ▶ Loosen and remove the vent on the filler opening
- ▶ Use a funnel to fill with gear oil of the appropriate specification until the oil level reaches the lower edge of the inspection opening
- ▶ Retighten the screw at the inspection opening
- ▶ Screw the vent on the filler opening back in

Replacement

1x per season



- ▶ Remove the PTO shaft
 - ▶ Place a collection container under the outlet for the waste oil
 - ▶ Loosen the screw on the outlet with an Allen key and remove the screw
 - ▶ Allow the oil to drain out fully
 - ▶ Replace the screw at the outlet
 - ▶ Refill with new gear oil
- Section »Refilling«

Maintenance

Tools

As required

The tools must be replaced if they:

- Are damaged
- Are heavily worn
- The bore on the tool is worn
- The fastening screws or the fastening nuts are worn

It is important that the rotor runs without unbalance. Therefore:

- Always replace tools with the same type
- Always replace tools opposite each other at the same time
- In case of wear it is best to replace the entire set of tools



Secure the machine

Work can only be carried out on a machine secured against rolling away and dropping. To prevent dropping, for example, permitted and correctly dimensioned support legs can be used.

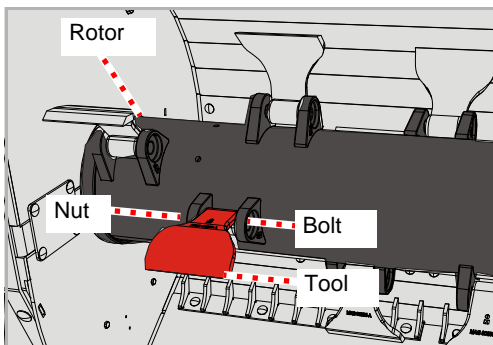
If the machine is not secured against rolling away and lowering, serious or fatal accidents could result.



New tools – new nuts and bolts

When replacing the tools, the nuts and bolts must also be replaced. Only use the bolts and nuts supplied or bolts and nuts with corresponding specifications.

If the bolts and nuts are not replaced or are replaced with bolts and nuts with different specifications, bolts can break. Tools may become detached during work and be flung out. Even persons outside of the hazard area could be seriously injured or killed.



- ▶ Secure the machine against rolling away and dropping
- ▶ Loosen the nuts and remove the bolts
- ▶ Remove old tool
- ▶ Replace new tool in the same manner. If washers were present, insert new washers. Pay attention to the fit of the washers.
- ▶ Fit a new screw and secure with a new nut

V-belt

As required

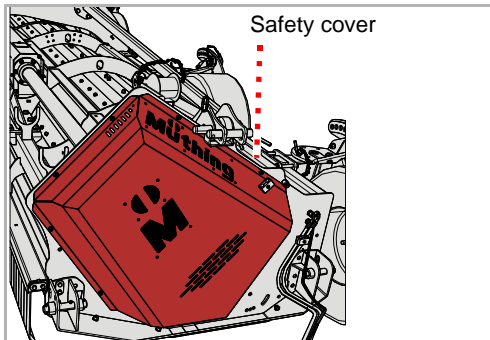
Safety cover

The drive belt is tensioned by a spring. If the V-belt is not sufficiently tensioned, it must be retensioned. If there are cracks or the V-belt is damaged, it must be replaced.

You must remove the safety cover:

- To check the V-belt
- To check the V-belt tension
- For tensioning the V-belt
- Replacing the V-belt

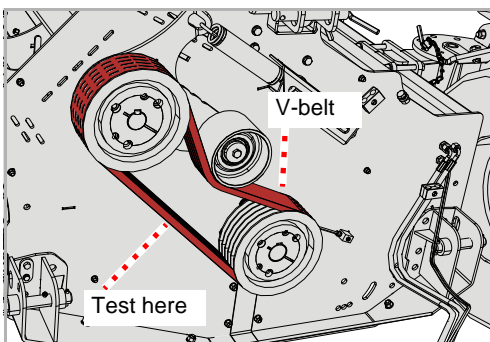
▶ Remove the safety cover



Checking

Prerequisite: The safety cover is removed.

- ▶ Inspect the V-belt for damage
- ▶ Check the tension of the V-belt. The drive belt must not be able to be pushed through more than 10 mm under a load of 6 kg.

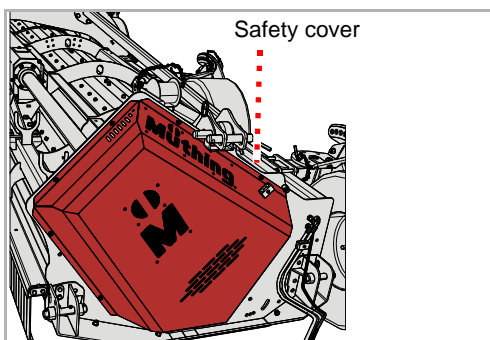


Tensioning

Prerequisite: The safety cover is removed.

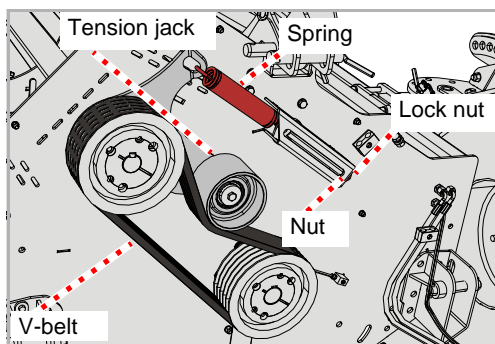
The tension jack is tensioned by a spring. This keeps the V-belt at the correct tension for longer.

- ▶ Loosen the lock nut
- ▶ Turn the nut so that the spring is tensioned
- ▶ Check the V-belt tension
- ▶ Secure nut with lock nut
- ▶ Reassemble the safety cover



Maintenance

Replacement



Prerequisite: The safety cover is removed.

If there are any tears or other damage on the V-belt, it must be replaced.

- ▶ Loosen the lock nut
 - ▶ Turn the nut so that the spring is released and the tensioner is loosened
 - ▶ Remove the old drive belt
 - ▶ Fit the new drive belt
 - ▶ Check V-belt for correct fit
 - ▶ Tension the V-belt
- Section »Tensioning«, Page 56

Runners

As required

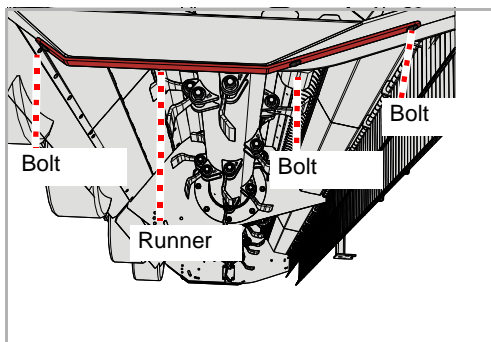
The runners protect the machine from direct contact with the ground. If they are not replaced in good time, the housing of the machine will be damaged.



Secure the machine

Work can only be carried out on a machine secured against rolling away and dropping. To prevent dropping, for example, permitted and correctly dimensioned support legs can be used.

If the machine is not secured against rolling away and lowering, serious or fatal accidents could result.



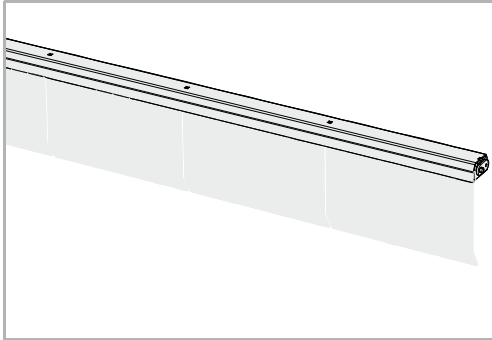
- ▶ Undo nuts, remove screws and washers.
- ▶ Remove old runner
- ▶ Fit new runner
- ▶ Fit new screws and washers
- ▶ Secure screws with new nuts

If the runner also needs to be replaced on the opposite side:

- ▶ Replace the runner on the opposite side as well

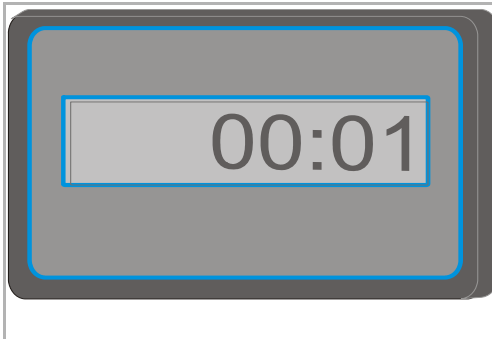
Accessory

Stone Guard



For using the machine on very stony soils, we recommend that an additional stone guard is fitted.

Operating hours counter



An electronic operating hours counter displays the actual operating duration. This means that data can be recorded precisely and used, for example, for calculations.

Fault elimination

Faults can often be eliminated quickly and easily. In the event of hydraulic problems, first check:

- Are the hydraulic hoses properly connected?
- Is the control valve at the tractor defect?
If so, contact your dealer.
- Is the hydraulic pump of the tractor defective?
If so, contact your dealer.

Before calling Customer Service, refer to the table below to check whether the fault is one you can eliminate yourself.

Fault	Cause	Remedy
Strong vibrations and high noise development	Tools are worn	Replace the tools
	One or more tools are missing	Replace tools
	Tools are damaged	Replace the tools
	Bearings for the rotor are worn	Have the bearings replaced
	Foreign bodies, such as wire, are wound around the rotor	Remove foreign bodies
	Tools have become loose	Tighten nuts on screws
	Speed of rotation of the PTO stub shaft is not set correctly	Set the correct speed of rotation on the PTO stub shaft
	Rotor not correctly counterbalanced	Check balancing and rebalance the rotor if necessary
Tools wearing quickly	The tools are working too deeply	Set correct working depth
Material cut too rough and cut material not distributed evenly	Drive speed too high	Reduce the drive speed
	The tools are working too deeply	Set correct working depth
	The tools are working too high	Set correct working depth
	V-belt worn	Replace V-belt set
	V-belt not correctly tensioned	Check V-belt tension and retension if necessary
	Speed of rotation of the tractor PTO stub shaft is too low	Increase the rpm
	Tools are worn	Replace the tools
	The machine is not standing parallel to the ground	Adjust the machine correctly
Rotor does not turn	Rotor is blocked by a foreign body	Remove foreign bodies
	The PTO shaft is free-wheeling or the gear box is incorrectly assembled.	Have the free running state correctly assembled

Fault elimination

Fault	Cause	Remedy
PTO shaft rotating, rotor is not	V-belt torn	Replace the V-belt
Unusual noises from the PTO shaft	Insufficient lubrication	Lubricate the PTO shaft
Road chassis wheels or support wheels do not turn freely	Insufficient lubrication	Lubricate bearings on the wheels
	Bearing damage	Have the bearings replaced
Gear box overheating	Incorrect oil specification	Change oil and select oil with correct specification
	Oil too old	Change oil
	Oil level too low or too high	Fill the oil to the lower edge of the inspection opening
	Machine overload	Maintain rpm in correct region, adjust driving speed to suit the work, maintain performance area (avoid excessively heavy growth or excessively thick branches)
High wear on V-belts V-belts running hot Power transmission not optimal	The tools are working too deeply and touching the ground	Set correct working depth
	Pulleys not aligned in parallel	Have pulleys correctly aligned
	V-belt is worn	Replace the V-belt
	V-belt is not correctly tensioned	Check the tension jack
Loss of oil at gear box or at centre bearing	Sealing rings worn or damaged	Have sealing rings replaced
Drive elements broken	Machine was started up abruptly or is blocked by foreign bodies	Have defective drive element replaced. Start the machine up slowly.

Disposal of the machine

When the service life of your machine is over, it must be disposed of properly. Please observe currently valid disposal regulations.

Metal parts

All metal machine components can be sent for metal recycling.

Plastic parts

All plastic parts are marked and can be recycled.

Tyres

Tyres can be handed over for recycling.

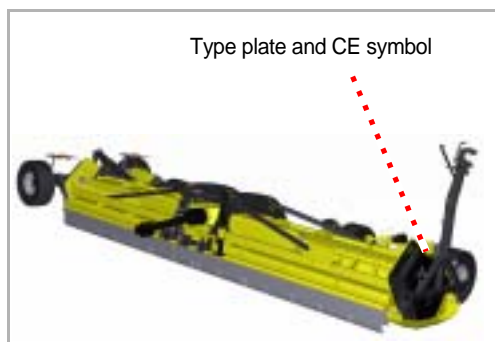
Oil

Collect fluid from the hydraulic system in a suitable container and dispose of at a used oil collection facility.

EU-conformity declaration

EC Directive
2006/42/EG

Müthing GmbH & Co. KG Soest
Am Silberg 23
D-59494 Soest



assumes sole responsibility for declaring that the following product complies with EC Directive 2006/42/EC:

MU-Farmer 670 and additional equipment

Assorted samples of harmonized standards:

- DIN EN ISO 4254-1
- DIN EN ISO 4254-12
- EN 13524

Soest, 28.10.2022



Andreas Rohde
CEO and authorised person for compiling technical documentation

Copy of the type plate/serial number entry

Machine type: Flail mower

Model:

Working width:

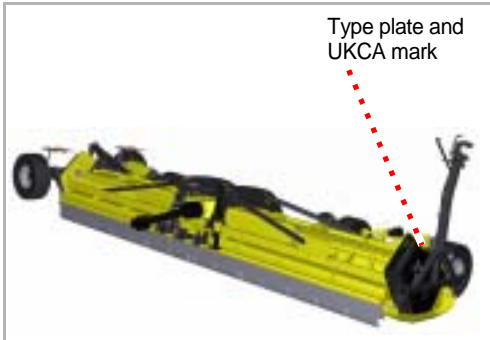
Serial number:

Year of construction:

UK Declaration of Conformity

UKCA

Müthing GmbH & Co. KG Soest
Am Silberg 23
D-59494 Soest
Germany



declares under sole responsibility that the machine conforms with the following directives:

- Supply of Machinery (Safety) Regulations 2008

Assorted samples of harmonized standards:

- BS EN ISO 4254-1
- BS EN ISO 4254-12
- BS EN 13524

Machine designation	MU-Farmer 670 and additional equipment
---------------------	--

The special technical documents corresponding to the machine have been created according to Annex VII, Part B.

Soest, 28.10.2022

Andreas Rohde
CEO and authorised person for compiling technical documentation

Copy of the type plate/serial number entry

Type of machine: Mulcher

Model:

Working Width:

Machine ID:

Production Year:

Index

A

Additional equipment	58
Operating hours counter	58
Assemblies	23

C

Care	41
Centre of gravity	15, 24
Cleaning	41
Connecting	
Electrics	30
Hydraulics	30
Coupling	27, 31

D

Declaration of Conformity	62
Dimension G	15, 24
Direction information	13

E

EC Declaration of Conformity	62
Electrics	
Connecting	30
Employer	8

F

Fault	59
Features	22

H

Hydraulics	
Connecting	30

L

labels, see warning signs	
Lubricate bearings	50

M

Machine	
Setting down securely	42
Storing	44
Maintenance	
General information	46
Maintenance intervals	49
Overview of lubrication points	51
Safety	45

P

Pictograms	9
Protective measures	
Oils or lubricants	46

R

Range of application	21
Hammer flail	21
Road chassis	33

S

Safety	10
Agricultural training	13
Altered driving and braking performance	17
Axle loads	15
Care and maintenance intervals	19
Care and maintenance work	19
Centre of gravity	15
Check the screwed connections	20
Cleaning	20
Coupling	14
Minimum ballast	15
Proper use	21
Putting the machine into operation	17
Riding on the machine	17
Total weight	15
Tyre load-bearing capacity	15
Uncoupling the machine	19
Warning signs	10
Welding work	20
Scope of delivery	26
Screwed connections	48
Setting down	42
Setting down the machine in a secure position	42
Support wheels	25, 33, 36, 42
Symbols	9

T

Target group	8
Task	39
Technical specifications	24
Tightening torques	
General	48
Training	8
Transport without coupling	34

W

Warning signs	
Meaning	11
Position	10
Wheel chocks	30
Working depth	37



