



## OPERATION MANUAL

EN | Original

MU-M/S+ Vario

**FROM SERIES** 2024  
**EDITION** 04.2024  
**ORDERING NUMBER** P\_MSP\_BA\_24\_ENG

## Machine identification

In order for your dealer to assist you as efficiently as possible, you will need to provide some information about your machine.

Please enter the information here.

Designation

Working width

Weight

Machine number

Additional equipment

Dealer's address

Manufacturer's address

Müthing GmbH & Co. KG Soest  
Am Silberg 23  
59494 Soest  
Germany

# Handover declaration

- Fill out this sheet with your dealer.
- Then separate this sheet from the operating manual and send it to the manufacturer within 10 days of delivery. Only in this way will the guarantee be effective from the date of delivery

To  
Müthing GmbH & Co. KG Soest  
Am Silberberg 23  
59494 Soest  
Germany

I have bought the machine described below from Müthing GmbH & Co. KG Soest, and confirm full delivery and handover of the machine including the operating manual and spare parts list, as well as training in operating the devices with safety instructions and warning information from your dealer.

I confirm additionally that I have read and understood the operating manual and am in agreement with the information contained therein. This applies in particular to the chapter Safety.

Client

Name		First name	
Address			
Post code		Town/city	
Telephone		Fax	
E-mail		Date	

Machine

Machine	MU-	Serial number	
Working width		Gear-box	
Rigid mounting		Non-rigid mounting	
Year of construction		Delivery date	
Delivered by			

\_\_\_\_\_  
Signature of client

\_\_\_\_\_  
Signature and stamp of sales partner

# Handover declaration

# Handover declaration – Copy

– This sheet remains with the client in the operating manual

I have bought the machine described below from Müthing GmbH & Co. KG Soest, and confirm full delivery and handover of the machine including the operating manual and spare parts list, as well as training in operating the devices with safety instructions and warning information from your dealer.

I confirm additionally that I have read and understood the operating manual and am in agreement with the information contained therein. This applies in particular to the chapter Safety.

Client

Name		First name	
Address			
Post code		Town/city	
Telephone		Fax	
E-mail		Date	

Machine

Machine	MU-	Serial number	
Working width		Gear-box	
Rigid mounting		Non-rigid mounting	
Year of construction		Delivery date	
Delivered by			

\_\_\_\_\_  
Signature of client

\_\_\_\_\_  
Signature and stamp of sales partner





# Table of Contents

<b>Handover declaration</b> .....	<b>3</b>	<b>Parking and storage</b> .....	<b>48</b>
<b>Handover declaration – Copy</b> .....	<b>5</b>	Setting down the machine in a secure position	48
<b>About this operating manual</b> .....	<b>8</b>	Work position or transport position	48
Target group	8	Supporting legs	49
Safety	8	Work position	50
Instruction	8	Transport position	51
Other applicable documents	8	Electrics and hydraulics	52
Symbols	9	PTO shaft	52
<b>Safety</b> .....	<b>10</b>	Top link, lower link	52
For your safety	10	Storing the machine	53
Warning signs	10	<b>Maintenance</b> .....	<b>54</b>
Definitions	14	For your safety	54
Who is allowed to operate the machine?	14	General information	55
Coupling	15	Maintenance intervals and setting work	58
Centre of gravity	16	Lubricating work	60
Road transport	18	PTO shaft	62
Putting the machine into operation	18	Transmission oil	63
Uncoupling the machine	20	Tools	65
Care and maintenance	20	V-belt	67
Further regulations	21	Runners	71
<b>Familiarising yourself with the machine</b> .....	<b>22</b>	<b>Accessory</b> .....	<b>72</b>
Range of application of the machine	22	short-chopping bar	72
Features of the machine	23	Wide-angle PTO shaft	72
Designation of components	24	Discharge extension	72
Technical specifications	25	Stone Guard	73
<b>Delivery and assembly</b> .....	<b>27</b>	Operating hours counter	73
Checking the scope of delivery	27	<b>Fault elimination</b> .....	<b>74</b>
<b>Coupling the machine</b> .....	<b>28</b>	<b>Disposal of the machine</b> .....	<b>76</b>
Work position	28	<b>EU-conformity declaration</b> .....	<b>77</b>
Transport position	28	EC Directive	
Coupling	29	2006/42/EG	77
Top link	30	<b>UK Declaration of Conformity</b> .....	<b>78</b>
PTO shaft	30	UKCA	78
Hydraulics	31	<b>Index</b> .....	<b>79</b>
Electrics	31	<b>Notes</b> .....	<b>80</b>
<b>Preparation</b> .....	<b>32</b>		
Working width	32		
Depositing the cut material	34		
Collision protection	38		
<b>Driving on the road</b> .....	<b>39</b>		
Warning signs	40		
Transport without coupling	40		
<b>Mulching</b> .....	<b>41</b>		
Work position	41		
Task	43		
<b>Cleaning and care</b> .....	<b>47</b>		
Cleaning	47		
Care	47		

# About this operating manual

## Target group

This operating manual is intended for trained machine operators and persons who are otherwise qualified to carry out landscape work and who have received training in how to use this machine.

## Safety

Familiarise yourself with the contents of this operating manual which are relevant for your activity before commissioning or assembling the machine. Always read through the safety instructions in the chapter "Safety" and observe the warning information in the individual chapters. In this way, you will achieve optimum work results and operational safety.

## For the employer

Staff must be instructed in the safe handling of the machine before the initial commissioning. Untrained or unauthorised persons are not permitted to use the machine.

The following are included in this training:

- Checking that staff possess the necessary requirements for safely handling the machine.
- Handing out the operating manual and the other relevant and applicable documents or an intensive course of training which, in particular, includes the safe handling of the machine.

## Regular instruction sessions

Instruct your staff regularly, but at least once a year, concerning the basic procedural measures for safely handling the machine.

## Instruction

You will receive training from your dealership concerning using the controls, safe operation and care of the machine. Commissioning without first receiving training is not permitted.

## Other applicable documents

In addition to the operating manual, other documents also form an integral part of the machine:

EU-conformity declaration	Integral part of this operating manual → Chapter »EU-conformity declaration«, Page 78
Spare parts list	Integral part of the delivery with this machine
PTO shaft operating manual	Integral part of the delivery with this machine



# About this operating manual

## Symbols

In order to make this manual clear and easy to read, we have used various symbols. They are explained below:

- A bullet point accompanies each item in a list
- ▶ A triangle indicates operating functions which must be performed
- An arrow indicates a cross-reference to other sections of this manual
- [+] A plus sign indicates an accessory that is not included in the standard version.

## Pictograms

We have also used pictograms to help you find instructions more quickly:



The warning triangle indicates warning information. Failure to observe these safety instructions can result in:

- Moderate to serious injury
- Fatal injury

You will find the warning information associated with individual operations, where it is important to observe the warning information before these operations are carried out.

You will also find safety instructions in the chapter »Safety« which cannot be assigned to any particular operations, but increase your ability to work safely in different situations.



This sign indicates important instructions regarding the machine. Failure to observe these safety instructions can result in:

- Serious faults in the correct operation of the machine.
- Damage to the machine



This symbol indicates information, tips and instructions about operation.



This symbol indicates tips for assembly or adjustment work.



This symbol indicates examples that help you to understand the instructions better.

Parts in the text which refer to individual machines or to conditions have a colored background. After the colored section, the text then applies again to all machines. For example:

### Only for MU-Farmer/S with pneumatic brake system

- ▶ Connect brake hoses
- ▶ Connect hydraulic hoses

# Safety

## For your safety

This chapter contains general safety instructions. Each chapter of the operating manual contains additional warning instructions which are not described here. Observe the safety instructions:

- In the interest of your own safety,
- In the interest of the safety of others
- To ensure the safety of the machine

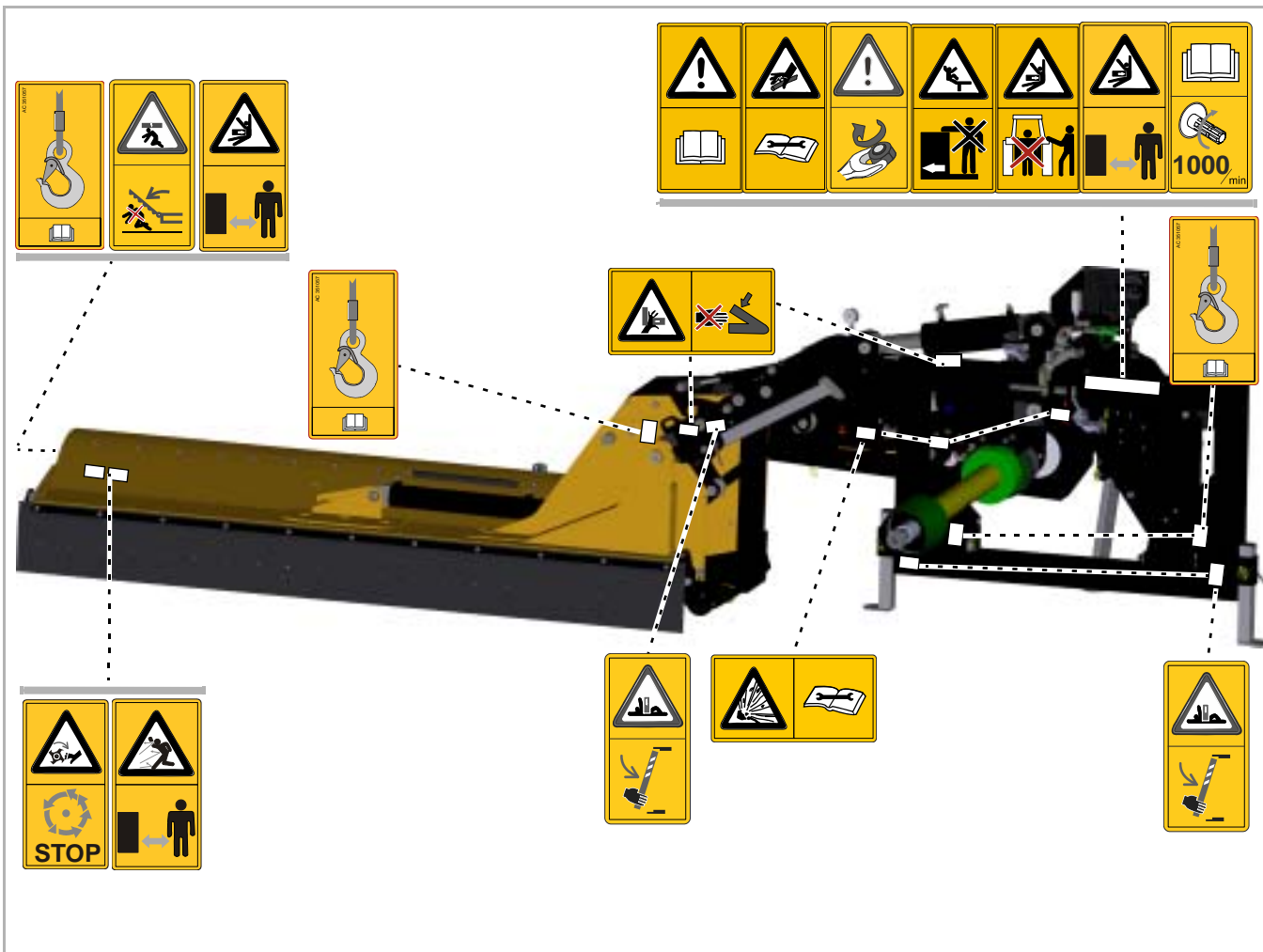
Numerous risks can result from handling landscaping machines the wrong way. Therefore, always work with particular care and never under time pressure.

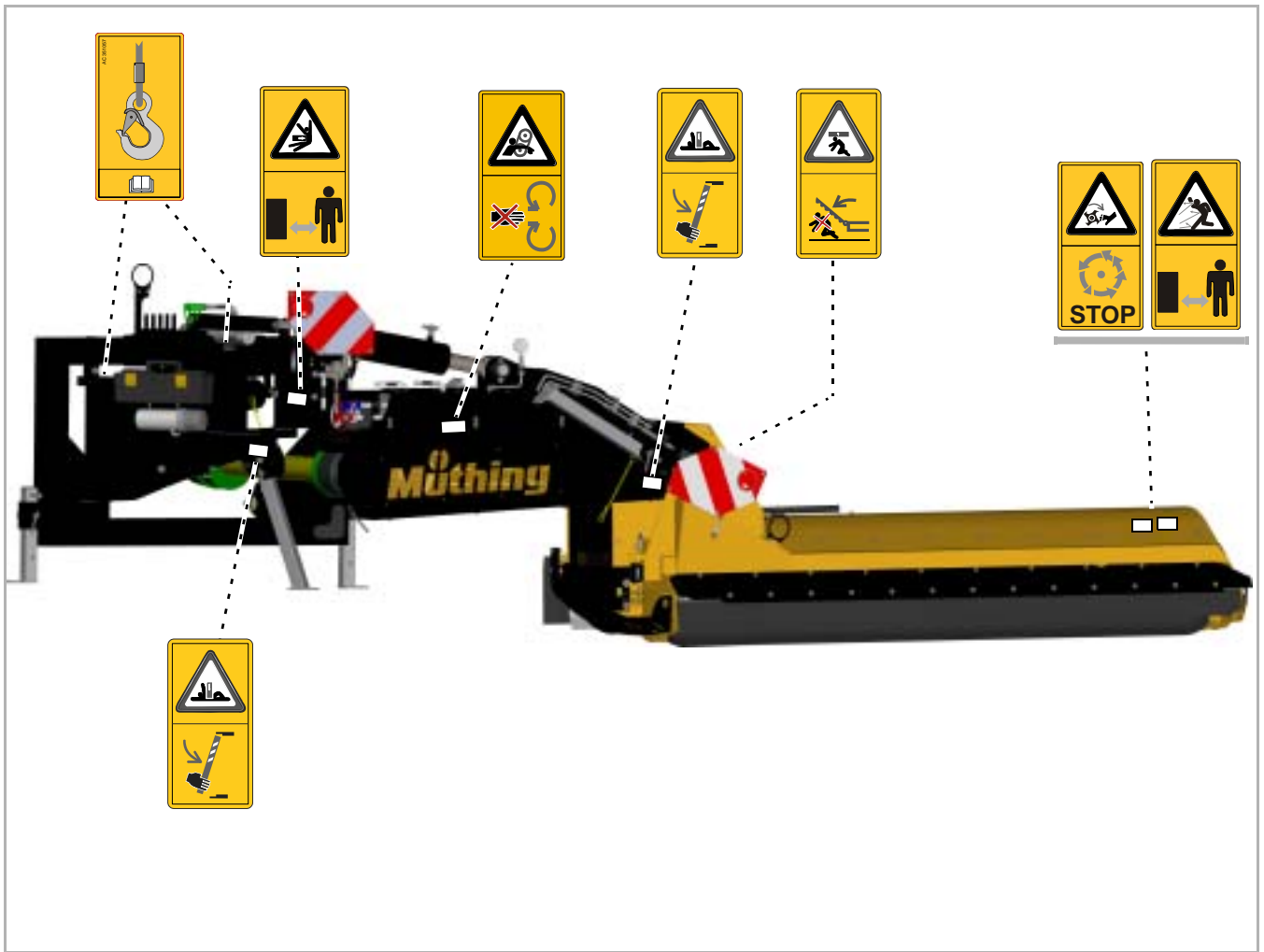
### For the employer

Inform personnel working with the machine of these safety instructions at regular intervals and according to statutory regulations.

## Warning signs

On the machine you will find labels that serve to ensure your safety. The labels must not be removed. If labels become illegible or begin to peel off, new labels can be ordered and attached in the appropriate places.





# Safety

## Meaning of warning signs



**Read the operating manual carefully and follow the instructions**  
Commissioning of the machine must not take place before the operating manual has been read and understood. This particularly applies to safety instructions.



**Do not stand between the tractor and the machine**  
Standing between the tractor and the machine with the engine running is prohibited, especially during coupling and uncoupling. The tractor must be additionally secured against rolling away.



**Riding on the machine is prohibited**  
It can result in serious or even fatal injury.



**Proceed with great care in the event of leaking hydraulic fluid**  
Do not look for leakage points without correct protection. Fine oil jets could penetrate eyes and skin under high pressure. Observe the corresponding safety instructions in the operating manual.



**Do not remove protective devices**  
Never open or remove the protective devices while the tractor's engine is running. Never operate the machine without the protective device.



**Be aware of the danger of being pulled in**  
There is a danger of being pulled into the PTO shaft in the event of inappropriate use.



**Shackles**  
Only raise the machine using loading equipment at the points indicated.



**Rotating and trailing machine parts**  
Only approach the machine when all machine parts have stopped moving.



### Danger of objects being thrown out

During operation, there is a danger of objects such as stones being picked up and thrown out by the machine. Ensure that no persons are present in the hazard area.



### Danger from moving machine parts

Nobody is permitted to remain within the hazard area during operation.



### Check the rotational speed of the PTO stub shaft

Connect PTO shaft to a PTO stub shaft with an appropriate rpm. Always switch off the PTO stub shaft when working on the machine.



### Retighten screws

After the first hours of operation, and as required, all screws must be checked and tightened if necessary. Vibrations might have loosened the screwed connections.



### Caution, risk of tipping

The machine or parts can tip over. Attach the safety supports before you stand in the hazard area. To uncouple, use the struts provided and position on firm ground.



### Do not stand in the slewing range

There is an extreme risk of injury within the slewing range from slewing or folding machine parts.



### Caution, risk of explosion

The pressure accumulator contains pressurised gas and oil. Removal and repair work must only be carried out by qualified specialists.

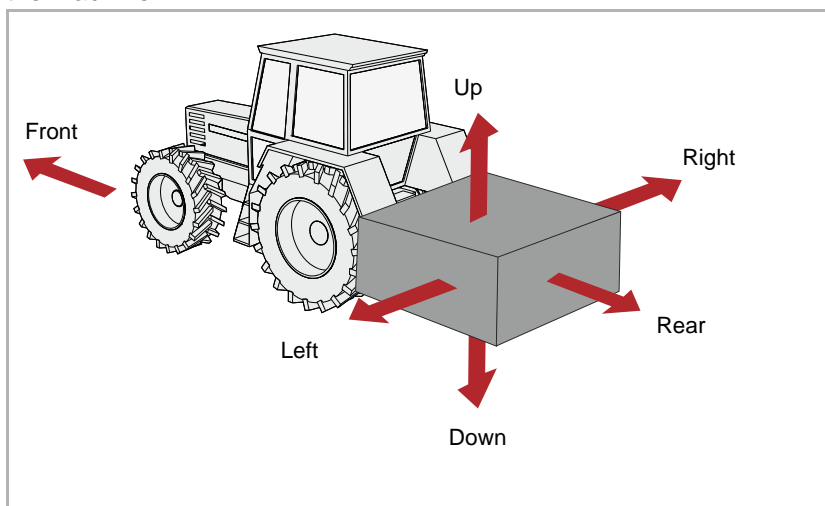


### Caution, risk of crushing

Avoid the hazard area. Gaps between components may become smaller or disappear completely.

## Definitions

All direction information is given in relation to the direction of travel of the machine:



Who is allowed to operate the machine?

### **Only qualified personnel**

Only qualified persons who have been informed of the dangers associated with handling the machine are permitted to operate, service or repair the machine. As a rule, such persons are trained and experienced in agricultural work or have been thoroughly trained in a similar fashion.

## Coupling

### **Increased risk of injury**

When the machine is being coupled to the tractor, there is an increased risk of injury. Therefore:

- Only hitch up the machine when the machine is safely parked
- Secure the tractor against rolling away
- The tractor and machine must belong to the same category
- Never stand between the tractor and the machine during coupling
- Actuate the three-point power lift system slowly and carefully

Failure to observe these instructions can result in serious or fatal injury.

### **Connect electric wires or cables only after mounting the attachment**

The electrical supply to the tractor must not be connected when the lighting equipment is being fitted. Short circuits and damage to the electronics are possible.

### **Only connect hydraulics at zero pressure**

Only connect hydraulic hoses to the tractor hydraulic system if the tractor and machine hydraulic system is at zero pressure. A hydraulic system under pressure can trigger unpredictable machine movements.

### **High pressures in the hydraulic system**

The hydraulic system is under high pressure. Regularly check all lines, tubes and screwed connections for leaks and externally visible damage. Only use suitable tools when looking for leaks. Rectify any damage immediately. Oil escaping under pressure may result in injuries and fires. In the event of injuries, seek medical attention immediately.

### **Color-coded hydraulic hoses**

To prevent operating errors, plug sockets and plugs for hydraulic connections between the tractor and the machine must be color-coded. Wrongly connected hydraulic hoses can trigger unpredictable movements of the machine.

## Centre of gravity

### Observe the total weight, axle loads, tyre load-bearing capacity and minimum ballast specifications

The front or rear mounting of machines must not cause the carrier vehicle's permissible total weight, permissible axle loads, or tyre load-bearing capacity to be exceeded. The front axle must bear at least 20 % of the empty weight of the carrier vehicle to ensure steering capability.

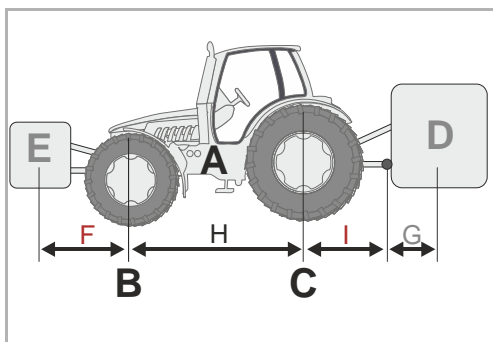
You can calculate:

- Total weight
- Axle loads
- Minimum added weight

## Data

For this calculation, some data is required out of the following documents and measurement results:

- Operating manual of carrier vehicle
- This operating manual
- Measurement results from carrier vehicle and attached machine



Data from the operating manual of the carrier vehicle:

- (A) unladen weight
- (B) front axle load
- (C) rear axle load
- (H) wheel base of carrier vehicle

Please take into consideration, for example, the weight of water in the tyres, accessories, etc.

Data from this operating manual:

- (D) Total weight of the machine when rear-mounted; the supporting load with the machines attached
- (E) Total weight of the machine when front-mounted
- (G) Distance between the lower link ball midpoint and the machine's centre of gravity when rear-mounted. With machines attached,  $G=0$ .

Data which you can determine by measuring:

- (F) Distance between the machine's centre of gravity when front-mounted and the front-axle midpoint
- (I) distance between the rear axle midpoint and the lower link ball midpoint. For rear-mounted machines between rear axle midpoint to drawbar coupling midpoint or hitch ball



## Calculation

The measured values can now be inserted into the formulas.

### Ballast with front weights

Calculating the **ballast with front weights** on rear-mounted machines.

$$\text{Front ballast in kg} = \frac{D \times (I + G) - (B \times H) + (0,2 \times A \times H)}{F + H}$$

### Ballast with rear weights

Calculating the **ballast with rear weights** on front-mounted machines.

$$\text{Rear ballast in kg} = \frac{(E \times F) - (C \times H) + (0,45 \times A \times H)}{H + I + G}$$

### Front axle load

Calculating the **actual front axle load**

$$\text{Front axle load in kg} = \frac{E \times (F + H) + (B \times H) - D \times (I + G)}{H}$$

### Total weight

Calculating the **actual total weight**

$$\text{Total weight} = E + A + D$$

### Rear axle load

Calculating the **actual rear axle load**

$$\text{Rear axle load in kg} = \text{actual total weight} - \text{actual front axle load}$$

### Tyre load-bearing capacity

Data on the tyre load-bearing capacity of the front and rear tyres can be found in the tyre manufacturer's documentation.

- The front tyre load-bearing capacity for two wheels is equal to twice the permissible tyre load-bearing capacity of a single front wheel.
- The rear tyre load-bearing capacity for two wheels is equal to twice the permissible tyre load-bearing capacity of a single rear wheel.

## Summary

Check if the following conditions are met:

- The actual rear axle load is less than the permissible values for the axle load stated in the operating manual of the carrierer vehicle
- The actual total weight is less than the permissible values for the total weight stated in the operating manual of the carrierer vehicle
- The sum of the permissible rear wheel load capacity is higher than the real rear wheel load capacity
- The sum of the permissible front wheel load capacity is higher than the real front wheel load capacity

If all conditions are met, the machine may be attached to this carrier vehicle.



You can use a sufficiently large weigh-bridge to determine the total weight, the rear axle load and the front axle load by weighing.

## Road transport

### **Make sure that the condition of the machine conforms to traffic regulations**

The machine must conform to current traffic regulations if you intend to drive it on public roads. This includes for example:

- Fitting lighting equipment, warning devices and protective devices
- Observing the permissible transport widths, transport weights, axle loads, tyre load-bearing capacity and total weights

The driver and owner of the vehicle are liable if traffic regulations are not observed.

### **Closing ball valves**

If ball valves are provided on the hydraulic lines or the chassis cylinders, the ball valves must be closed for road transport. Accidental actuation of control devices on the tractor might otherwise cause movements in the machine. Accidents or damage to the machine may be caused as a result.

### **Check release cable for the quick-release coupling**

Release cables must hang loose and must not, when in their lowered position, release the couplings of their own accord. Otherwise, attached machines can detach themselves from the three-point hitch.

### **Riding on the machine is strictly prohibited**

People or objects must never be transported on the machine. Riding on the machine poses a risk to life and limb and is strictly prohibited.

### **Take altered driving and braking behaviour into account**

Driving and braking performance is altered when the machine is attached to the tractor. Take the width and balancing weight of the machine into consideration, especially when cornering. A driving style which not adjusted to the road conditions can lead to accidents.

### **Drive at a suitable speed**

Always adjust your driving speed to the road conditions. Driving at excessive speeds in poor road conditions may create extremely large forces, which will severely load or overload the tractor and the machine. Driving at unsuitable speeds can cause machine damage and lead to accidents.

### **Training required before commissioning**

The machine must not be put into operation until the user has been given proper training by an employee of the dealer, a factory representative, or an employee of the manufacturer. Commissioning without training can lead to damage to the machine due to false operation or accidents can happen.

### **Ensure that the machine is in perfect working condition**

Do not operate the machine unless it is in perfect working condition. Check all important components and replace any defective components before starting the machine. Defective components can cause damage to equipment and personal injury.

## Putting the machine into operation

## **Do not remove the protective equipment**

The protective equipment must not be removed or by-passed. Check all protective equipment before starting the machine. Unprotected machine parts can cause serious or fatal injury.

## **Riding on the machine is strictly prohibited**

People or objects must never be transported on the machine. Riding on the machine poses a risk to life and limb and is strictly prohibited.

## **Height of the machine and overhead power lines**

If a height of 4.00 m is exceeded when folding the machine in and out, the machine must not be folded in the vicinity of live overhead power lines. Danger of electrocution! Should the machine come into contact with a live overhead power line:

- Do not attempt to exit the tractor cabin
- Do not touch any metal parts on the tractor
- Do not create any conductive contact with the ground
- Warn all persons in the area not to approach the tractor or the machine
- Wait for help from professional emergency service personnel as power in the live overhead power line must first be switched off

Never climb onto the machine beneath live overhead power lines. The voltage can jump across even if the lines are not actually touching the machine.

## **Check the hazard area**

Before driving off, folding out, and operating the machine and during operation, check its hazard area. Make sure that you have an adequate view. Do not begin work until the hazard area is cleared of any persons or objects. Information regarding the hazard area can be found in the corresponding chapter.

→ Chapter »Mulching«, Section »Task«, Page 44.

Parts could be ejected from the machine at high speed in certain circumstances. The hazard area, particularly in front of and behind the machine, must be cleared of any persons, animals or objects before starting.

Any use of the machine without verification of the hazard area can lead to serious or fatal accidents.

## **Retighten all nuts, bolts and screws**

Nuts, bolts and screws should be checked at regular intervals and tightened if necessary. Screws can come loose unnoticed while operating. Damage to the machine or accidents may be caused as a result.

## **What to do in the event of a fault**

In the event of a malfunction, shut down and secure the machine immediately. The fault may be eliminated immediately, or a specialist workshop must be assigned the task. Further operation of the machine can lead to damage to the machine or injury to persons.

## Uncoupling the machine

### **Increased risk of injury**

There is an increased risk of injury when uncoupling the machine from the tractor. Therefore:

- Secure the tractor against rolling away
- Never stand between the tractor and the machine during uncoupling
- Actuate the three-point power lift system slowly and carefully
- Make sure the machine is standing on a secure and level surface
- Do not disconnect hydraulic hoses until there is no pressure in the tractor and machine hydraulic system

Failure to observe these instructions can result in serious or fatal injury.

## Care and maintenance

### **Observe the care and maintenance intervals**

Observe prescribed intervals for maintenance checks and inspections specified in the operating manual. If these periods are not observed, this can lead to damage to the machine, poor quality of work or accidents.

### **Use replacement parts with identical properties**

Many components have special properties that are essential for the stability and correct operation of the machine.

When replacing components, dimensions, stability and material quality must be guaranteed. We recommend the exclusive use of original replacement parts.

Use of replacement parts which do not correspond to requirements could cause damage to the machine or impaired performance.

### **When performing any care and maintenance work:**

- Switch off the PTO stub shaft
- Depressurise the hydraulic system
- Whenever possible, uncouple the tractor
- Make sure the machine is standing securely. Provide additional support as required
- Do not use parts of the machine as climbing aids; use only secure steps, ladders or other means of access
- Secure the machine against rolling away
- Never reach into the V-belt while it is moving

It is only possible to guarantee work safety during care or maintenance work through observing these regulations.

### **Turn off the electrical supply**

Prior to carrying out work on the electrical system, disconnect the system from the power supply. Systems supplied with electrical power can cause damage to equipment and personal injury.

## **Replace hydraulic hoses**

Replace hydraulic hoses every six years. Hydraulic hoses can age without any externally visible damage. Defect hydraulic lines can lead to severe or fatal injuries.

## **Caution when cleaning with a high-pressure cleaner**

The machine can be cleaned using either water or a steam jet. Only use a low pressure to clean bearings, fans, signal mixer units, plastic parts and hydraulic hoses. Excessively high pressures can cause damage to these parts.

## **Before carrying out welding work, disconnect the battery and alternator**

Before carrying out any electric welding work on the attached machine, disconnect the tractor battery and the alternator. This avoids damage to the electrical system.

## **Tighten all screwed connections**

All screw connections that are released during maintenance and repair work must now be retightened. Loose screwed connections can cause bolts to undo without you noticing during your work. As a result, machine parts can become detached. Otherwise, this may result in severe injury or damage to equipment.

## **Observe the regulations**

In addition to these safety instructions, observe the following:

- Accident prevention regulations
- Generally recognised safety regulations, occupational health requirements and road traffic regulations
- Information and instructions in this operating manual
- Operation, maintenance and repair instructions

Further regulations

# Familiarising yourself with the machine

This chapter contains general information on your machine as well as information on:

- Range of application
- Features
- Designation of components
- Technical specifications

## Range of application of the machine

The machine may only be used for its intended agricultural or associated purpose, depending on the type of tool with which it is equipped.

Tool	Purpose
Hammer flail	To cut grass, other growth or sections up to a maximum of 5 cm diameter
M shackle blade	To cut grass, other growth or for cutting up to a maximum of 2 cm diameter. The shackle flails can deviate sideways.
Triple Y-blade	As for the M-shackle flail. Low power requirement.

Since the conditions of use are very varied, the user must pay particular attention to the machine's performance limits. The machine must be switched off immediately if there is any indication of overstress.

## Proper use

The machine should only be used for the designated work as described in this operating manual. Any application other than or beyond this is considered improper use.

Examples of improper use:

- Transporting persons or objects
- Cutting of any products other than those specified or those of a similar nature

→ »Range of application of the machine«

- Transferring power to other objects
- Front attachment
- Working depths below 20 mm ground clearance
- Any type of ground work
- Use of the machine in a position in which the tools do not point towards the ground, for example in a vertical position

The manufacturer and dealers are not liable for damage caused by improper use. The risk is borne solely by the user.

# Familiarising yourself with the machine

## Features of the machine

### **Robust housing in optimised form**

The housing is particularly robust for heavy use and is designed in an optimised form.

### **Side orientation**

The machine can work behind the tractor wheel or offset to the side.

### **Internal rotor storage**

Internal rotor storage prevents accumulation of dirt and minimises wear.

### **Tools**

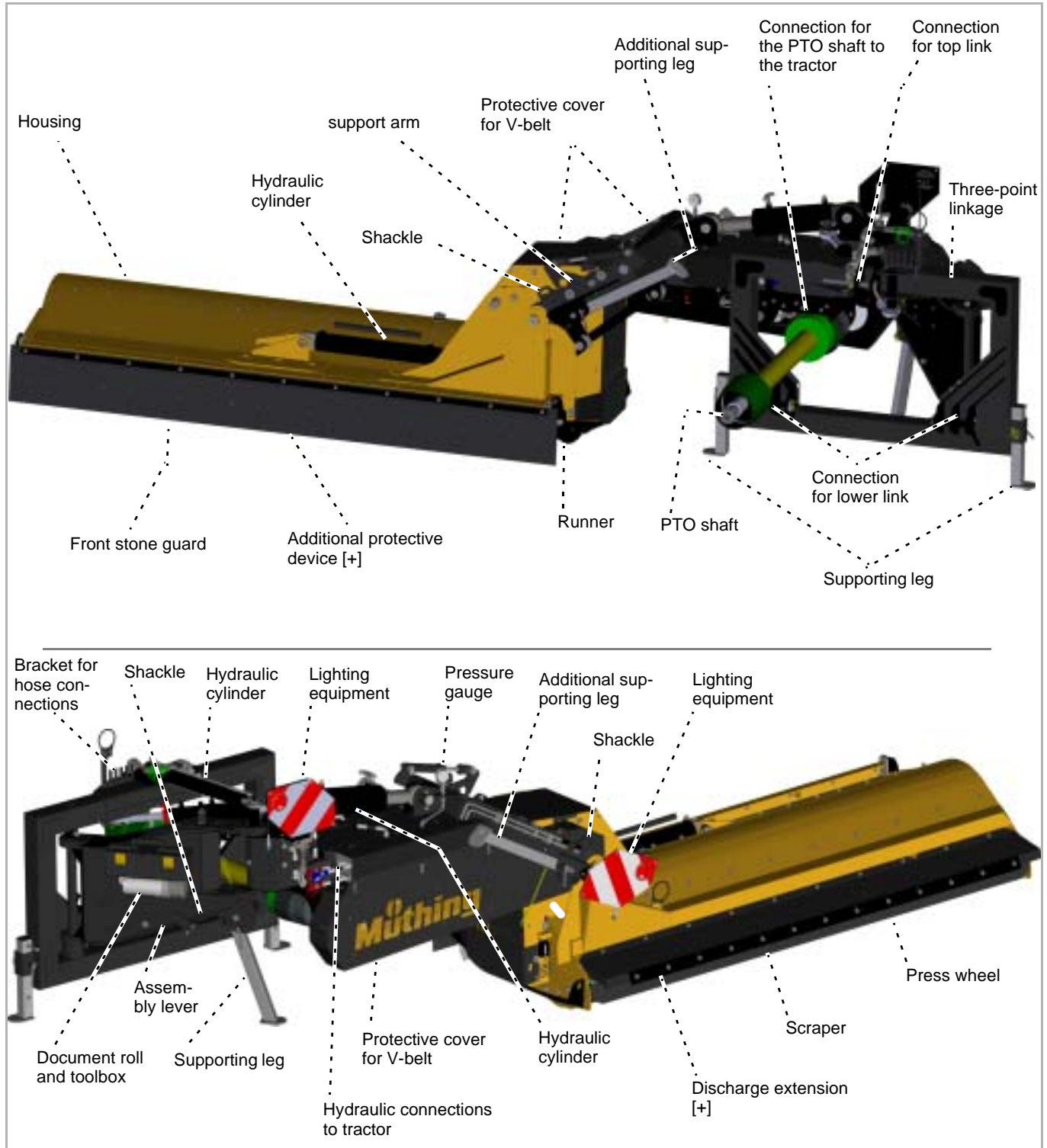
The tools are manufactured using high-quality material. Optimal shredding is achieved in conjunction with the short chopping bars.

### **Safety**

The machine is constructed in accordance with EU regulations, for maximum possible safety of operation. The machine bears the CE mark and the UKCA mark.

# Familiarising yourself with the machine

## Designation of components





# Familiarising yourself with the machine

## Technical specifications



	MU-M/S+ Vario 220	MU-M/S+ Vario 250	MU-M/S+ Vario 280
<b>Height [m]</b>			
In work position	1.67	1.67	1.67
In transport position	3.09	3.22	3.35
<b>Width [m]</b>			
In work position	5.01	5.21	5.51
In transport position	2.50	2.50	2.50
<b>Depth [m]</b>			
In work position	1.62	1.62	1.62
In transport position	1.62	1.62	1.62
<b>Working width [m]</b>			
In work position	2.20	2.50	2.80
<b>Total weight [kg]</b>			
Depending on equipment level, approx.	1700	1800	1900
<b>Centre of gravity (dimension G)</b>			
Depending on equipment level, approx.	0.90	0.90	0.90
<b>Rotational speed of rotor [rpm]</b>			
PTO stub shaft 1000 rpm	2240	2240	2240
<b>Power requirement [kW]</b>			
Minimum	90	90	90
Maximum permitted	200	200	200
<b>Tractor weight [kg]</b>			
Minimum	6000	6000	6000
<b>Working depth [mm]</b>			
Adjustable	25/49/73	25/49/73	25/49/73
<b>Number of tools</b>			
M-hammer flail	18	22	24
M shackle blade	44	52	58
Triple Y-blade	18	22	24
<b>Lubricants</b>			
Transmission oil	SAE 70W 90	SAE 70W 90	SAE 70W 90
hydraulic oil	HLP 46	HLP 46	HLP 46
<b>Noise emission [dB(A)]</b>			
In the workplace	< 90	< 90	< 90

# Familiarising yourself with the machine

	MU-M/S+ Vario 220	MU-M/S+ Vario 250	MU-M/S+ Vario 280
<b>Category</b>			
Lower link category	III	III	III
<b>Paint colors</b>			
Yellow	RAL 1007	RAL 1007	RAL 1007
Black	RAL 9005	RAL 9005	RAL 9005
<b>PTO shaft</b>			
Model	GE3001 GE3002 GE3003	GE3001 GE3002 GE3003	GE3001 GE3002 GE3003

## Checking the scope of delivery

The machine is delivered completely assembled. If parts of the machine have not been assembled, please contact your dealer.



### **Do not assemble the machine yourself**

Do not perform assembly work yourself since requirements for an orderly condition of the machine are :

- Observance of a sequence of worksteps
- Compliance with tolerances and torques

*Incorrect assembly may result in damage to the machine or poor performance.*



If parts are missing or have been damaged during transportation, please submit a claim immediately to your dealer, importer or the manufacturer.

# Coupling the machine



## Increased risk of injury

When the machine is being coupled to the tractor, there is an increased risk of injury. Therefore:

- Secure the tractor against rolling away
- The tractor and machine must belong to the same category
- Never stand between the tractor and the machine during coupling
- Actuate the three-point power lift system slowly and carefully

*Failure to observe these instructions can result in serious or fatal injury.*



## Only attach the machine to the rear

The machine may only be attached to the rear of the tractor.  
*The machine could be damaged if front-mounted*

The machine can be set down in the work position or in the transport position.

## Work position

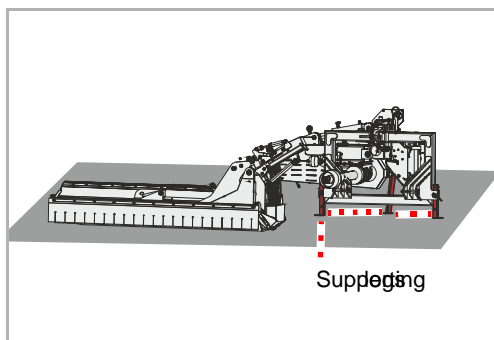
There are 3 supporting legs in the work position:

- 2 front supporting legs
- 1 rear supporting leg

- ▶ Check whether the machine was securely positioned. The support legs have been lowered and the machine housing is on the ground.
- Chapter »Parking and storage« paragraph »Setting down the machine in a secure position«, page 49

### If the machine is not securely positioned:

- ▶ Secure the machine with suitable lifting gear and move into the correct position



## Transport position

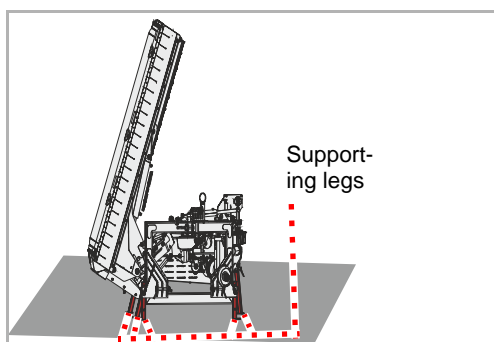
There are 5 supporting legs in the transport position:

- 2 front supporting legs
- 1 rear supporting leg
- 2 side supporting legs

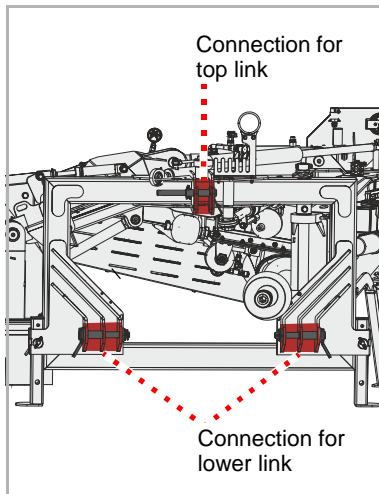
- ▶ Check whether the machine was securely positioned. The supporting legs are lowered.
- Chapter »Parking and storage« paragraph »Setting down the machine in a secure position«, page 49

### If the machine is not securely positioned:

- ▶ Secure the machine with suitable lifting gear and move into the correct position



## Coupling



- ▶ Adjust both lower links on the tractor to the same height
- ▶ Connect lower link according to the category of tractor and secure with pin and linchpin
- ▶ Connect top link according to the category of the tractor and secure with pin and linchpin

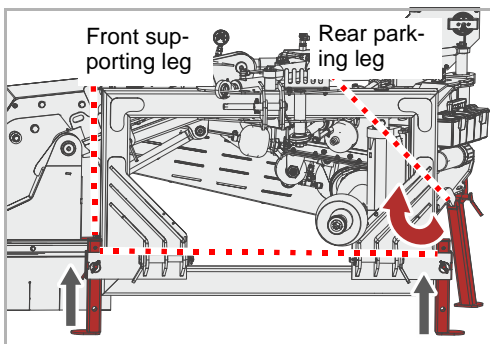


### Do not fold machine in or out

Leave the machine in the position in which you attached the machine. Do not fold the machine in or out with the supporting legs lowered. *The machine will be damaged if it is folded in or out with the supporting legs lowered.*

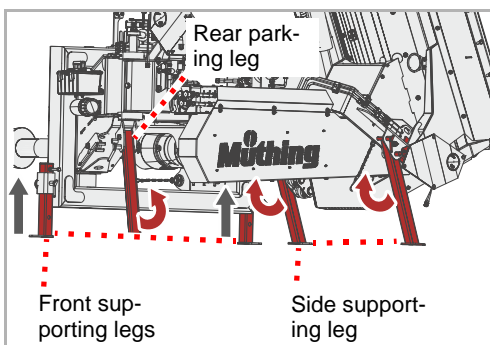
- ▶ Raise the machine slightly

## Work position



- ▶ Pull out the pins on the front supporting legs
- ▶ Push the front parking legs upwards and fix them in the upper position with the pin.
- ▶ Pull out the pin on the rear supporting leg
- ▶ Fold up the rear parking leg and fix it with the pin
- ▶ Adjust the lower link so that the machine has little play to the left or right

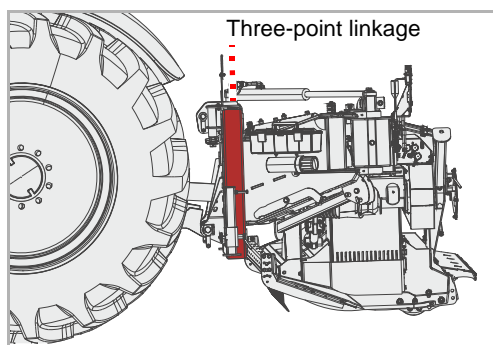
## Transport position



- ▶ Pull out the pin on the front supporting leg
- ▶ Push the front parking legs upwards and fix them in the upper position with the pin.
- ▶ Pull out the pin on the rear supporting leg
- ▶ Fold up rear supporting legs and secure with the pin
- ▶ Pull out the pins on the side supporting legs
- ▶ Fold up side supporting legs and secure with the pin
- ▶ Adjust the lower link so that the machine has little play to the left or right

# Coupling the machine

## Top link

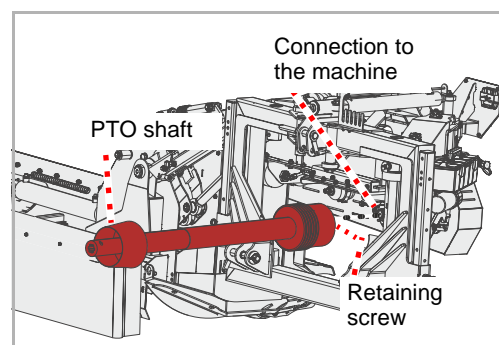


- ▶ Adjust the top link so that the three-point stand is vertical

## PTO shaft

The PTO shaft has been adjusted to fit your tractor by your dealer.

## Connection to the machine



Generally, the PTO shaft is already connected to the machine. If the PTO shaft is replaced or after maintenance work to the PTO shaft, it will be necessary to connect it to the machine.

- ▶ Carefully clean and grease the PTO shaft and connection to the machine
- ▶ Slide PTO shaft onto connection on machine and secure with retaining screw

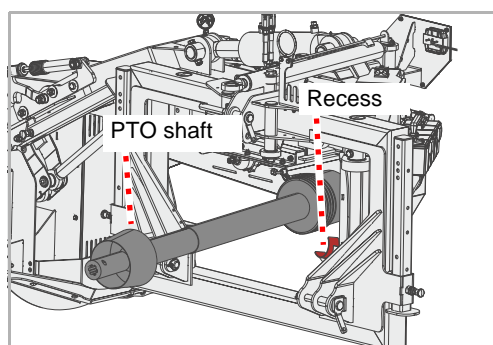
## Connection to the tractor



If the tractor is changed, the correct length of the PTO shaft must be checked. It is particularly important when checking the PTO shaft to ensure that the two halves of the PTO shaft continue to overlap at the position in which the PTO shaft is pulled apart furthest.

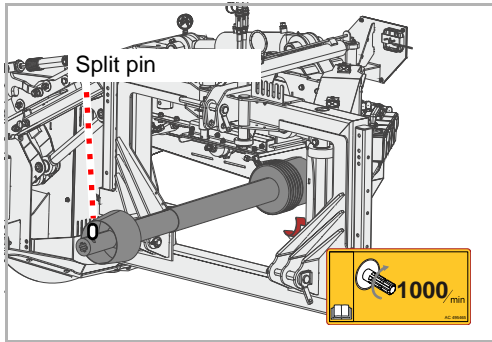
→ Operating manual for PTO shaft

When changing the tractor, check that the PTO shaft is suitable for this tractor and if necessary, replace the PTO shaft and have it adjusted at a qualified specialist workshop.



- ▶ Remove the PTO shaft from the recess

# Coupling the machine



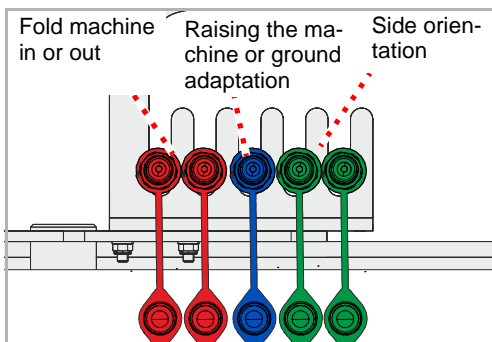
- ▶ Connect the PTO shaft to the PTO stub shaft of the tractor and ensure that the cotter pin is locked in place on the PTO shaft

## Hydraulics



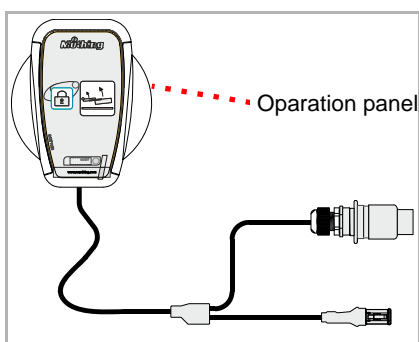
The following functions can be controlled:

Function	Color of dust cap	control valve
Side orientation	Green	Double-acting
Fold machine in or out	Red	Double-acting
Raising the machine or ground adaptation	Blue	Single-acting



- ▶ Connect hydraulic hoses to corresponding control valve

## Electrics



If present, attach the following plugs to the tractor for:

- The lighting equipment on the machine
- Operating unit for the headland position

- ▶ Check that the lighting equipment is working correctly

**For indicators which are not signalling and are equipped with LEDs:**

Depending on the tractor, the tractor's electrics may require regrouping in the electrical cable's plug connection. Please contact your dealer in this case.



- ▶ Place the operating unit in an easily accessible location in the tractor cab where it will not get in the way

# Preparation

## Working width

The working depth can be adjusted in three stages. The optimal working depth for most applications is the middle setting.



### Tools must not come into contact with the ground

Any contact with the ground could result in stones or other material not being held back safely by the stone guard.

*Persons even outside of the hazard area could be injured by ejected material.*

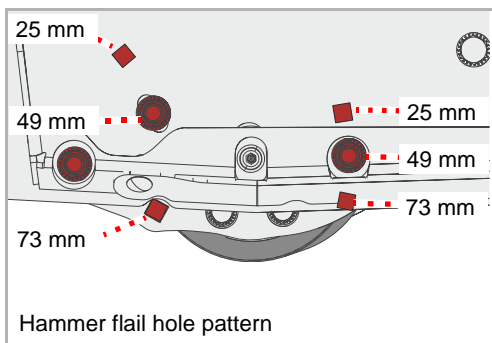


### Do not go below the minimum working depth

The working depth must not be below the lowest setting.

*Working depths below the lowest setting may result in the machine being damaged by excessive wear.*

The working depth setting depends on the type of tool.



Tool	Possible working depths [mm]		
Hammer flail	25	49	73
M shackle blade	25	49	73
Triple Y-blade	25	49	73

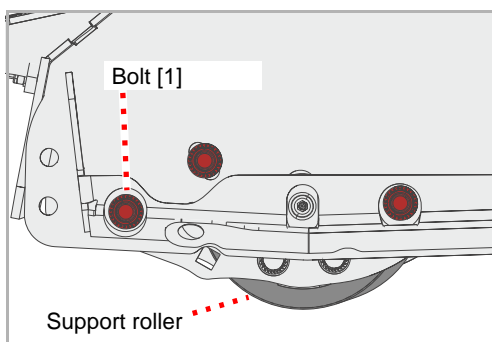


### Secure the machine

Work can only be carried out on a machine secured against rolling away and dropping. To prevent dropping, for example, permitted and correctly dimensioned support legs can be used.

*If the machine is not secured against rolling away and lowering, serious or fatal accidents could result.*

- ▶ Secure the tractor against rolling away
- ▶ Raise the machine and secure it against dropping
- ▶ Loosen the nut on bolt [1], but do not remove the nut or bolt
- ▶ Also loosen the nut on bolt [1] on the opposite side of the housing, but do not remove the nut or bolt

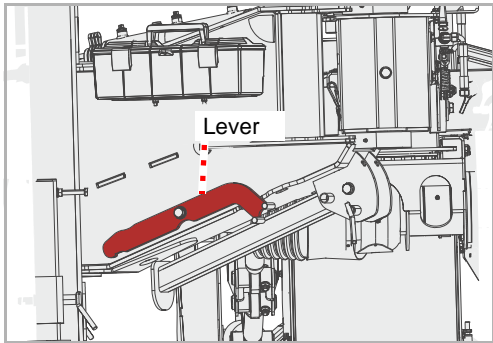






You will find a lever on the machine which makes it easier to adjust the support roller.

- ▶ Release the lever

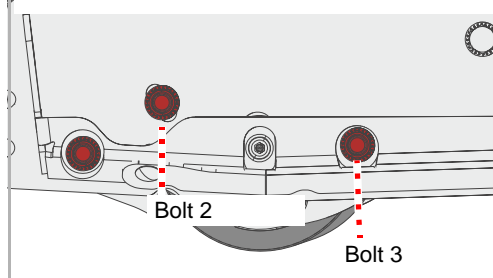


### Support roller folds down

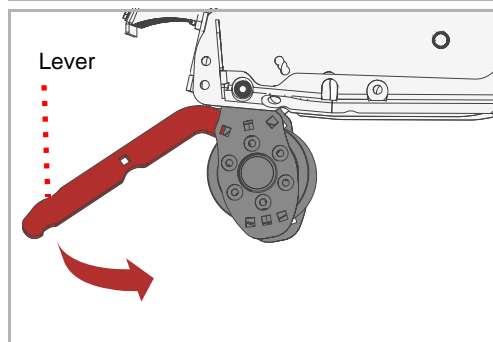
If bolts [2] and [3] are removed on both sides, the support roller folds down. Ensure that no persons are present in the hazard area before removing the bolts.

*Persons present in the hazard area may be hit by the support roller and injured.*

The support roller is in the central position here, 49 mm working depth



- ▶ Undo and remove bolts [2] and [3]
- ▶ On the opposite side, also undo and remove bolts [2] and [3]



- ▶ Position the lever on the support roller and raise the support roller as far as is necessary for the desired working depth
- ▶ Insert bolts and secure with nuts
- ▶ Make the same adjustment on the opposite side of the housing
- ▶ Tighten all nuts
- ▶ Replace the lever

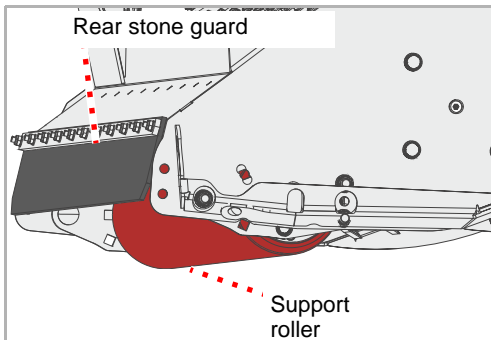
# Preparation

## Depositing the cut material

Depending on the soil conditions, you can decide whether to deposit the cut material behind or in front of the support roller:

Use	Advantages	Disadvantages
On green areas Depositing behind the support roller	In normal soil conditions, the cut material is deposited behind the support roller.  The support roller runs directly over the ground. The machine follows the contours of the ground precisely.	In poor soil conditions, the support roller becomes contaminated.
On field surfaces Depositing in front of the support roller	The cut material is deposited in front of the support roller.  The support roller runs over the cut material, not directly over the ground. This reduces the level of contamination on the support roller.	The support roller presses the cut material on to the ground.  The machine does not follow the contours of the ground as precisely as when the cut material is deposited behind the support roller.

## Behind the support roller



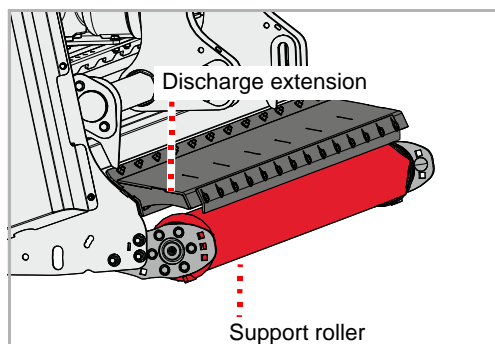
Depositing the cut material behind the support roller is the most common setting. The support roller runs directly over the ground.

In this setting, the stone guard is fitted behind the support roller and the support roller is located under the housing. In this setting, the working depth can be adjusted in three stages.



If you convert the machine from “Cut material deposited in front of the support roller” to “Cut material deposited behind the support roller”, you can have the discharge extension fitted. It is not necessary to fit the stone guard at the rear.

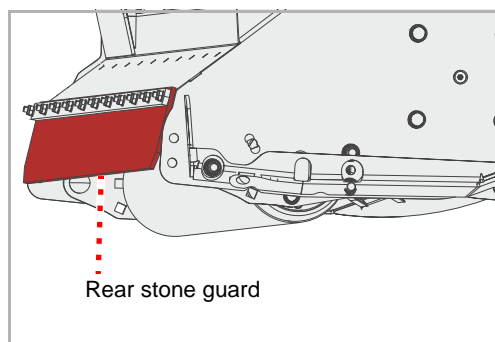
## In front of the support roller



Depositing the cut material in front of the support roller is only possible with a discharge extension [+]. The support roller runs over the cut material.

In this setting, the discharge extension is fitted and the support roller is located outside the housing. The working depth is set to the middle setting.

## Conversion



The conversion requires a discharge extension [+] to be available for fitting when the support roller is outside the housing.

- ▶ Remove the rear stone guard



### Secure the machine

Work can only be carried out on a machine secured against rolling away and dropping. To prevent dropping, for example, permitted and correctly dimensioned support legs can be used.

*If the machine is not secured against rolling away and lowering, serious or fatal accidents could result.*

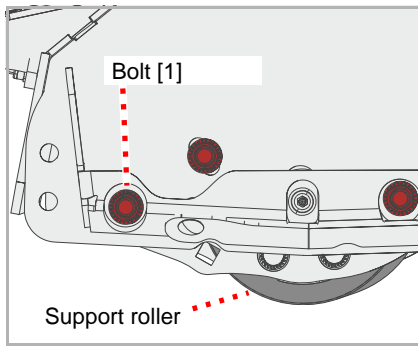
- ▶ Secure the tractor against rolling away
- ▶ Raise the machine and secure it against dropping

# Preparation



## Do not remove bolt [1] on either side

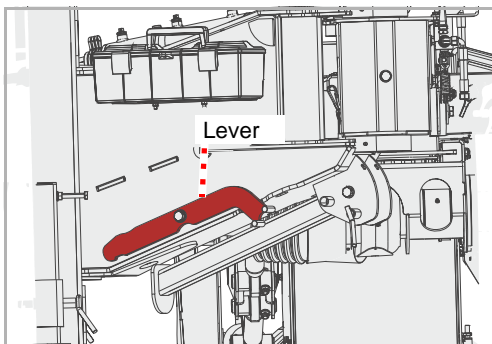
Make sure that bolt [1] is only loosened and has not been removed. Otherwise the support roller will drop down during later worksteps. *Persons present in the hazard area may be hit by the support roller and injured.*



- ▶ Loosen the nut on bolt [1], but do not remove the nut or bolt
- ▶ Also loosen the nut on bolt [1] on the opposite side of the housing, but do not remove the nut or bolt



You will find a lever on the machine which makes it easier to adjust the support roller.



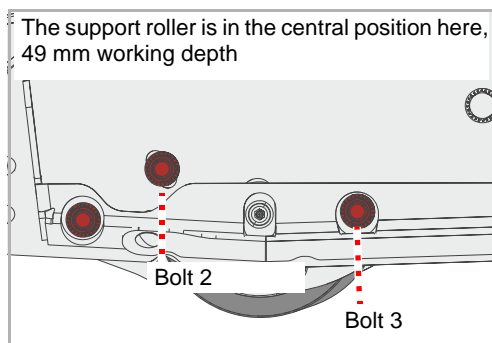
- ▶ Release the lever



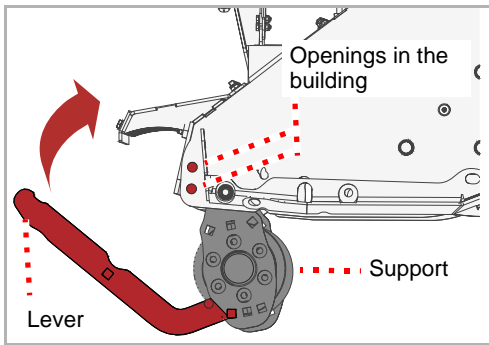
## Support roller folds down

If bolts [2] and [3] are removed on both sides, the support roller folds down. Ensure that no persons are present in the hazard area before removing the bolts.

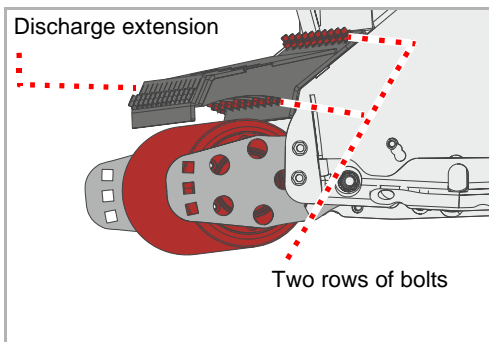
*Persons present in the hazard area may be hit by the support roller and injured.*



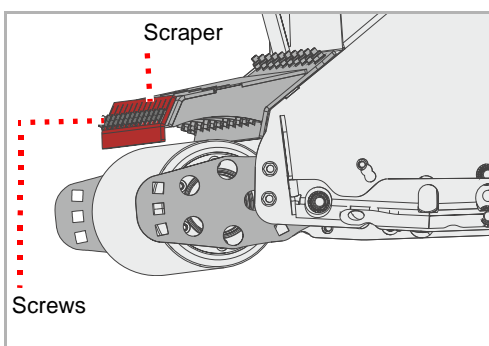
- ▶ Undo and remove bolts [2] and [3]
- ▶ On the opposite side, also undo and remove bolts [2] and [3]



- ▶ Position the lever on the support roller and raise the support roller until the openings in the housing are located above the openings in the support roller
- ▶ Insert bolts and secure with nuts
- ▶ Make the same adjustment on the opposite side of the housing
- ▶ Tighten all nuts
- ▶ Replace the lever



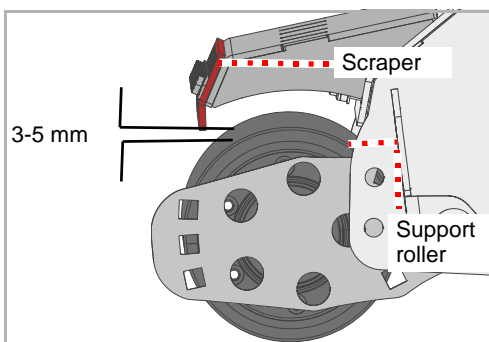
- ▶ Attaching the discharge extension
- Ensure that all bolts are inserted and secure with washers and nuts. There are two rows of bolts on the discharge extension



- ▶ Undo all the bolts on the scraper but do not remove them
- ▶ Park the machine on the ground

## Scraper

The scraper should be set so that the clearance between it and the support roller is small. If the scraper is worn, or if you have fitted it on the upper guard, it must be adjusted.



- ▶ Raise the machine until the support roller no longer touches the ground
- ▶ Adjust the cleaner so that a gap of 3-5 mm remains between the support roller and the cleaner
- ▶ Check the clearance by turning the support roller. The support roller must not touch the scraper.
- ▶ Retighten all the nuts on the scraper firmly

# Preparation

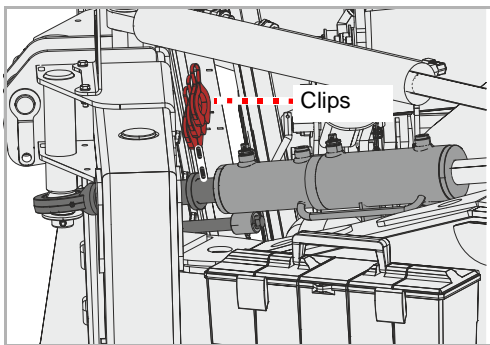
## Collision protection

The machine can give way towards the front to a limited extent if it accidentally hits an obstacle while reversing.

The mulcher should not touch any machine parts or the tractor when it gives way. Depending on the use of the machine and the tractor and equipment that are being used, it may be necessary to limit the distance that the machine can give way.

2 clips are fitted at the factory. These prevent the machine from hitting the 3-point hitch if it hits an obstacle while reversing.

Number of clips	Intervention distance for obstacles	Recommendation
0	Very large	The machine is only used in the "extended" position and there are no attachments on the tractor
1	Large	The machine is only used in the "extended" position and there are attachments on the tractor, such as twin tires
2	Medium	The machine is used in the "extended" or "retracted" position and there are no attachments on the tractor
3	Small	The machine is used in the "extended" or "retracted" position and there are attachments on the tractor, such as twin tires

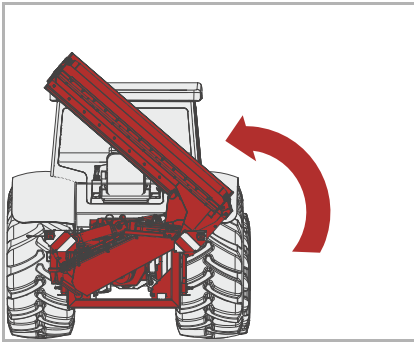


► Insert number of clips as desired

For transporting the machine, it must be folded into the transport position after being coupled.

## If the machine is already in the work position:

- ▶ Move the machine to the left via the control unit on the tractor
- ▶ Using the “ground adaptation” control unit on the tractor, put the machine in the transport position
- ▶ Check whether the machine is fully folded in

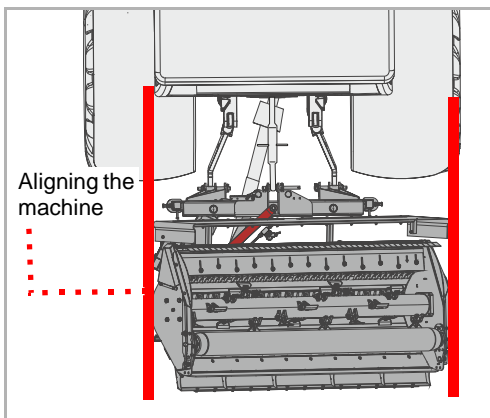


## Fold the machine in fully

The machine must be fully folded in and the centre of gravity must be above the centre of the machine.

*If the machine is not fully folded in, the machine may accidentally fold out into the work position during road transport. This can result in accidents.*

- ▶ Align the machine behind the tractor using the control device



## Never switch on the PTO stub shaft in transport position

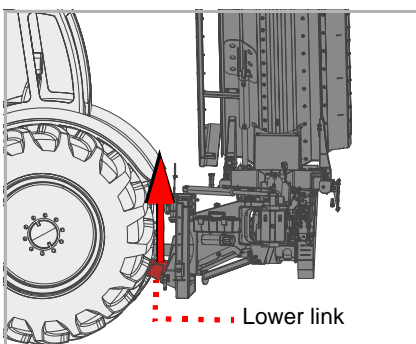
The PTO stub shaft must not be switched on in transport position.

*A rotating PTO shaft will be seriously damaged in transport position.*



Observe the regulations for road traffic. The permitted overall height of the vehicle must not be exceeded. The top edge of the lighting equipment must not exceed 150 cm from the ground.

Position the lower link over the three-point power lift of the tractor at a height which will enable the machine to be high enough for transport



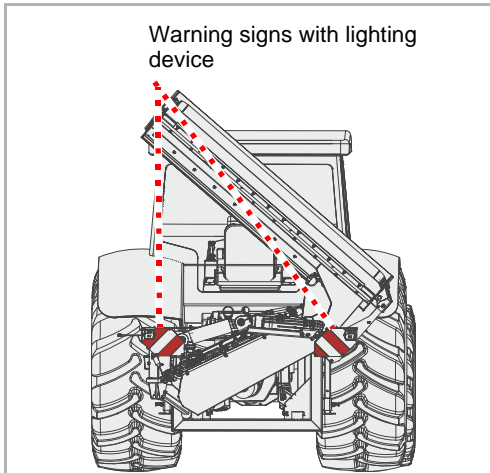
## Securing the control devices

Prior to road transport, the control devices on the tractor must be secured against inadvertent actuation.

*If the control devices are unsecured on the tractor, the machine could accidentally fold out into the work position during road transport. This can result in accidents.*

# Driving on the road

## Warning signs



- ▶ Check lighting device for correct function

## Transport without coupling

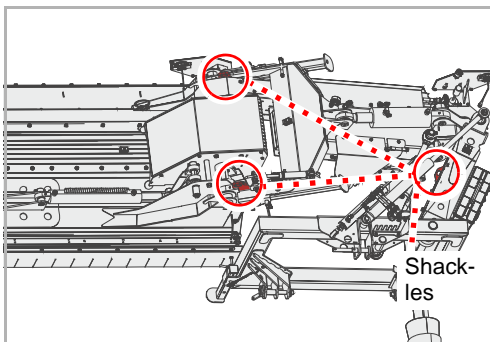
For transport on, for example, a trailer, the machine can be raised. Only use the designated points for attaching the lifting device. The machine must be securely positioned.

- ▶ Setting down the machine in a secure position  
→ Chapter »Parking and storage« paragraph »Setting down the machine in a secure position«, page 49

- ▶ Attach suitable lifting devices to the lifting eyes
- ▶ Carefully lift the machine with suitable lifting gear

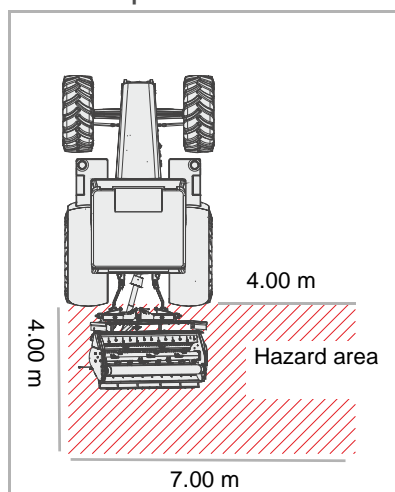
### If the machine is not balanced:

- ▶ Using the control unit on the tractor, carefully swivel the machine in or out sideways until the machine is balanced
- ▶ Lower the machine onto the loading surface
- ▶ Secure the machine against slipping





## Work position



### Check the hazard area

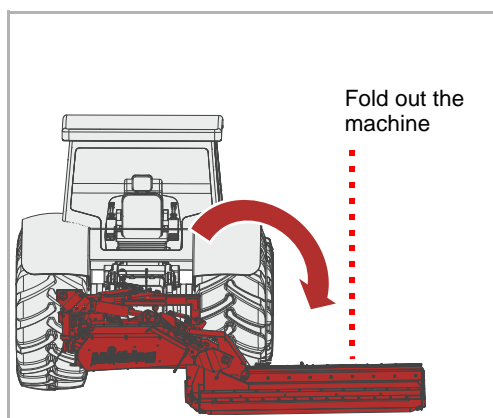
Before folding out the machine into the work position, check the hazard area. Make sure that you have an adequate view. Do not begin to fold it out into the work position until the hazard area is cleared of any persons or objects.

*Folding out the machine without first checking the hazard area can lead to serious or fatal accidents.*

The fold-out procedure is executed in several stages:

1. Fold out the machine into its work position
2. Aligning the machine

## Folding out



### If the operating unit is switched on:

- ▶ Switch off the operating unit at the ON-OFF button

- ▶ Using the tractor's control device, fold out the machine into the work position
- ▶ Using the "ground adaptation" control unit on the tractor, put the machine in the work position

# Mulching

## Align

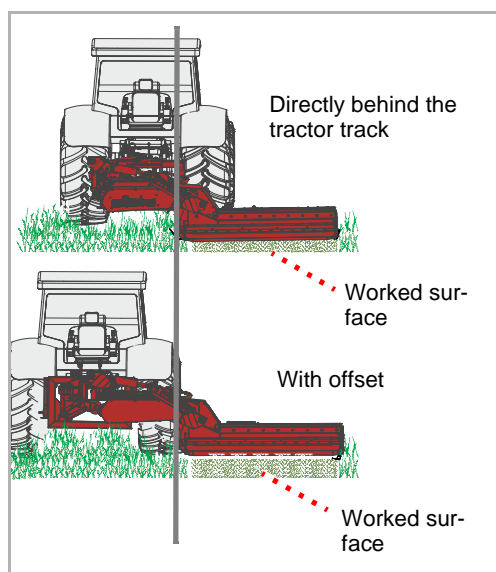
The position of the machine behind the tractor can be adjusted. This means that the machine can either work directly behind the tractor track or at an offset alongside the tractor track.



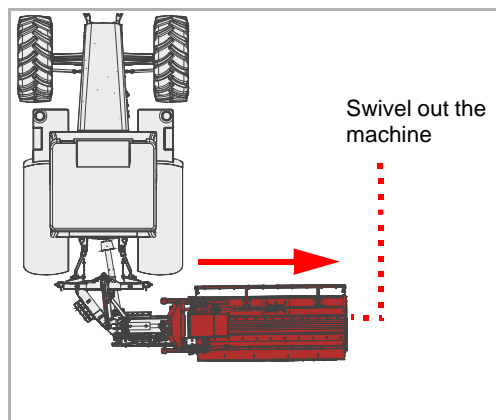
**Do not swivel out when the machine is lowered.**

When swivelling out, the machine must not be lowered to the ground. *If the machine is lowered to the ground when swivelling out, the machine will be damaged.*

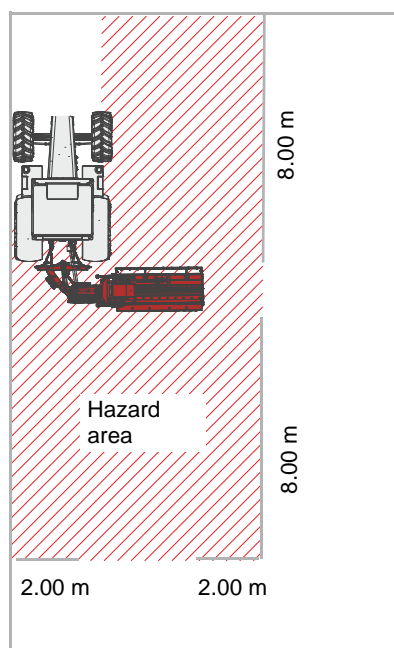
The choice of position depends on the work to be carried out.



- ▶ Using the tractor's control device, swivel out the machine as required



## Task



### Check the hazard area

The hazard area in front of and behind the machine is 8 m. It is 2 m at the sides. Before driving off, operating the machine and during operation, check its hazard area. Make sure that you have an adequate view. Do not begin work until the hazard area is cleared of any persons or objects.

Parts could be ejected from the machine at high speed in certain circumstances. The hazard area, particularly in front of and behind the machine, must be cleared of any persons, animals or objects before starting.

*Any use of the machine without verification of the hazard area can lead to serious or fatal accidents.*

### Assess the dust exposure levels

If the ground and the material to be mulched are dry, you may be exposed to dust. Dust exposure can be avoided by taking into account the direction of the wind. If dust exposure cannot be avoided, you can protect yourself by wearing a dust mask. If these measures are not sufficient, use a tractor with an enclosed cab and a dust filter.

*Dust exposure may lead to respiratory diseases.*



### Only work forwards

The machine may only be located in work position when moving forwards. The machine must be raised up when reversing.

*A machine in work position when reversing could result in serious damage to the machine.*

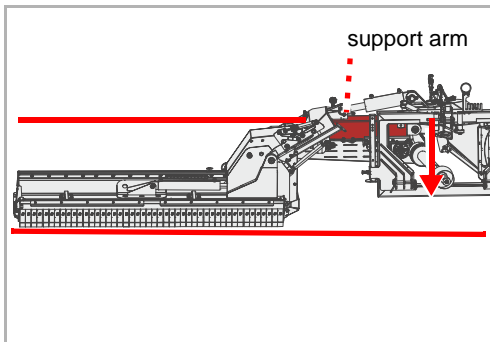
# Mulching

Particular care should be taken by the operator when working with the mulcher. Working on ditches, overhangs or slopes are activities which tend to be particularly hazardous. We can only give general instructions, the actual situation must be evaluated by the operator.

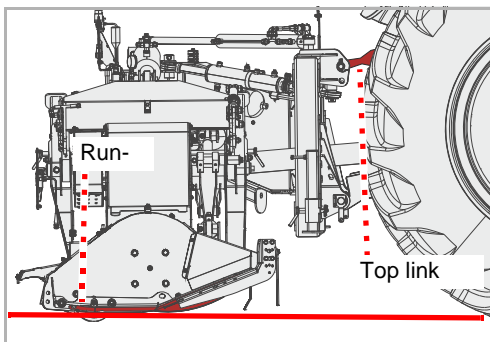




Do not tilt the machine forwards or backwards  
The machine must not lean forwards or backwards during work.  
*A machine that is leaning forwards or backwards can become clogged up and work incorrectly.*



- ▶ Lower the machine using the lower links on the tractor until the machine is lowered to the ground. The top of the support arm should be parallel to the ground.
- ▶ Secure control unit on tractor for lower links



- ▶ Adjust the top link so that the runners are parallel to the ground

# Mulching

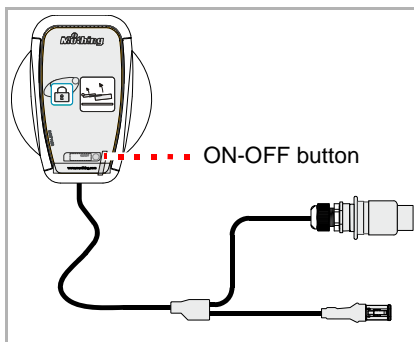
## Headland setting

For the turning operation at the end of the field, you must lift the machine. This requires the simultaneous actuation of two control units:

- Fold in/out
- ground adaptation

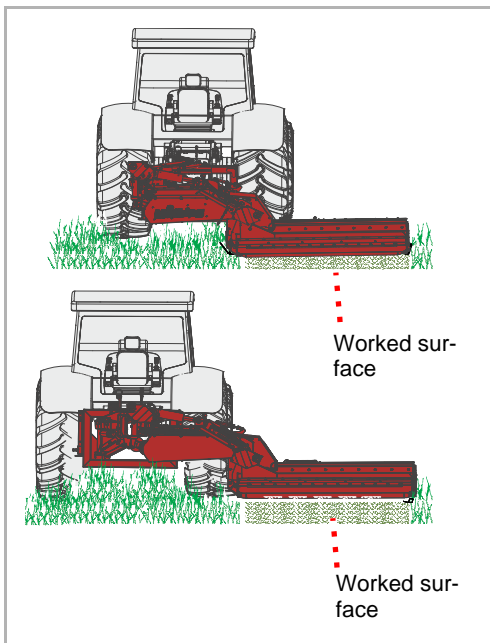
The operating unit performs the actuation of both control units for you. With the operating unit switched on, you only need to operate the control unit for folding in/out at the headland.

**i** The maximum lift operation with the operating unit is limited to a fixed value for safety reasons. If, for technical reasons, you need a higher lift operation on your field, please contact your dealer.



- ▶ Switch operating unit on via the ON-OFF button
- ▶ At the headland, actuate the control unit on the tractor for folding in/out

**i** After mulching, you must switch off the operating unit. The machine can only be moved into transport position when the operating unit is switched off



- ▶ Switch the PTO stub shaft into the work position and slowly bring the machine to the rated speed
- ▶ Then drive at low speed into the stock, increase speed slowly. Pay attention to the machine while doing this.

### If the machine is working too hard:

- ▶ Reduce speed
- ▶ Drive at a suitable speed. The speed must be appropriate to the growth and the type of terrain.

## Cleaning

A high-pressure cleaner, for example, can be used to clean the machine. Never point the water jet directly at the labels or type plate.



### **Only use low pressure to clean the bearings**

Only use low pressure to clean the bearings.

*Water penetration reduces the service life of the bearings*

## Care

To ensure that the machine has a long service life, we recommend applying an approved and biodegradable preservation agent after the end of the season and during storage.

# Parking and storage

## Setting down the machine in a secure position



### **Ensure that there are no unauthorised persons can enter the set-down location**

If the machine is set down coupled or uncoupled on the tractor, the set-down location must be selected to ensure that no unauthorised persons can enter.

*Persons could be injured by coming into contact with parts of the machine or by manipulating the machine.*



### **Select the set-down location carefully**

The set-down location must be relatively even and the ground must be solid.

*Uneven or soft ground could result in the machine rolling away and becoming damaged.*

Requirements on the set-down location:

- Horizontal, solid surface
- Sufficient room on all sides
- Protected against access by unauthorised persons, such as children

## Work position or transport position

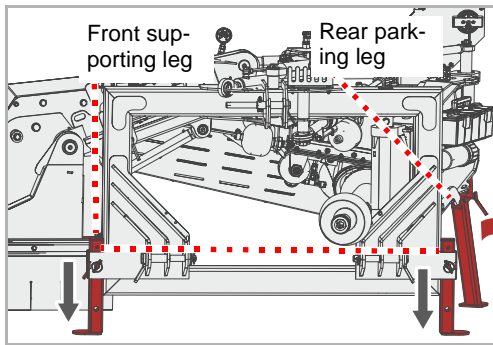
You can set the machine down in the work position or in the transport position. The machine is prepared for setting down safely in several stages:

- Put the supporting legs in the parking position
- Parking in the work position: Fold out the machine from the transport position to the work position
- Disconnect electrical cables and hydraulic hoses from the tractor
- Remove the PTO shaft
- Lower supporting legs
- Remove the top link, undo the lower link



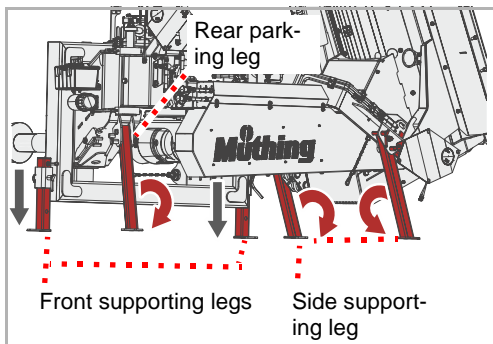
## Supporting legs

### Work position



- ▶ Pull out the pins on the front supporting legs
- ▶ Slide the front supporting legs downwards and secure in the lower position with the pin
- ▶ Pull out the pin on the rear supporting leg
- ▶ Fold down the rear parking leg and fix it in place with the pin.

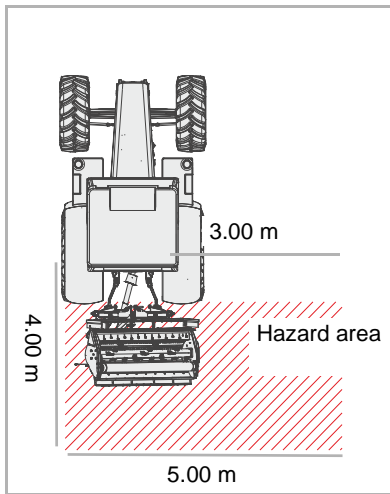
### Transport position



- ▶ Pull out the pin on the front supporting leg
- ▶ Slide the front supporting legs downwards and secure in the lower position with the pin
- ▶ Pull out the pin on the rear supporting leg
- ▶ Fold the rear supporting leg downwards and secure with the pin
- ▶ Pull out the pins on the side supporting legs
- ▶ Fold the side supporting legs downwards and secure with the pin

# Parking and storage

## Work position



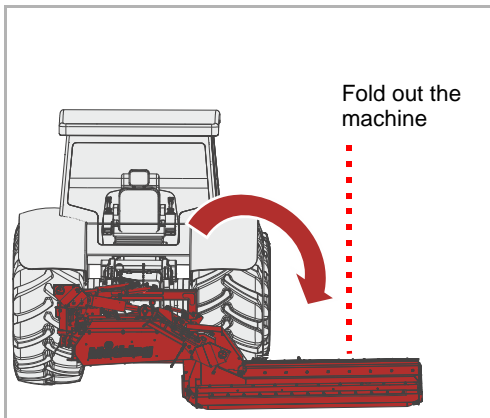
### Check the hazard area

Before folding out the machine into the work position, check the hazard area. Make sure that you have an adequate view. Do not begin to fold it out into the work position until the hazard area is cleared of any persons or objects.

*Folding out the machine without first checking the hazard area can lead to serious or fatal accidents.*

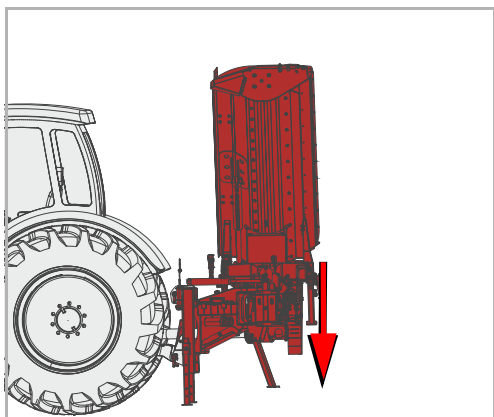
### If the operating unit is switched on:

- ▶ Switch off the operating unit at the ON-OFF button

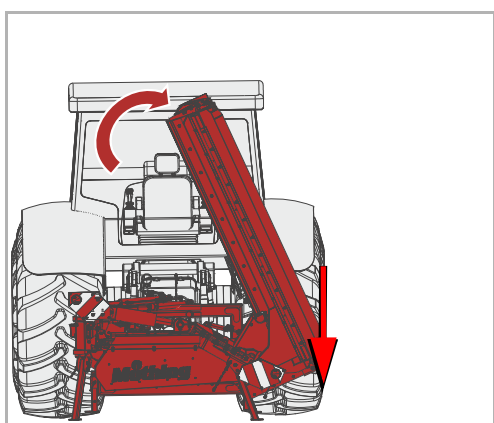


- ▶ Using the tractor's control device, fold out the machine into the work position
- ▶ Lower the machine via the lower link until the machine is on the supporting legs
- ▶ Fully lower the machine using the "ground adaptation" control unit on the tractor
- ▶ Briefly put all control units into the neutral position

## Transport position



- ▶ Lower the machine via the lower link until the machine is on the supporting legs



- ▶ Carefully move the machine into the parking position via the ground adaptation control unit
- ▶ Briefly put all control units into the neutral position

# Parking and storage

## Electrics and hydraulics



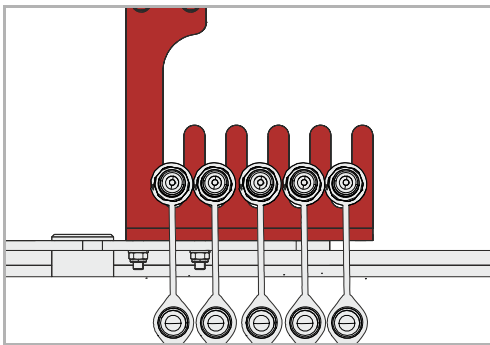
### Increased risk of injury

There is an increased risk of injury when uncoupling the machine from the tractor. Therefore:

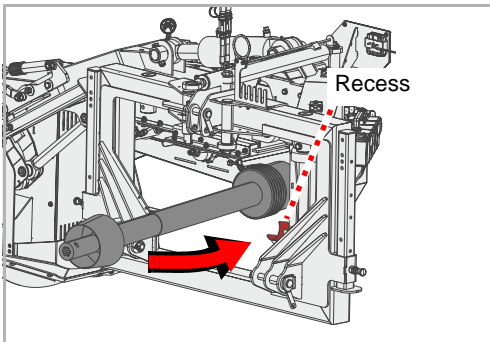
- Secure the tractor against rolling away
- Never stand between the tractor and the machine during uncoupling
- Actuate the three-point power lift system slowly and carefully

*Failure to observe these instructions can result in serious or fatal injury.*

- ▶ Disconnect electrical cables and hydraulic hoses from the tractor's connections
- ▶ Place plug connection on the recess



## PTO shaft



- ▶ Disconnect the PTO shaft from the tractor
- ▶ Insert PTO shaft into the recess

## Top link, lower link

- ▶ Lower the lower link until the top link is no longer under compressive or tensile strain
- ▶ Remove the top link
- ▶ Undo the lower link and lower

The machine is now safely set down

## Storing the machine

After cleaning, the machine should be stored in transport position in a dry location and on a level and stable surface.

→ Section »Setting down the machine in a secure position«, Page 49



To ensure that the machine has a long service life, we recommend applying an approved and biodegradable preservation agent after the end of the season and during storage.

→ Chapter »Cleaning and care«, starting at page 48

For your safety

Special safety instructions



### **Requirements for conducting maintenance work**

Only perform the maintenance work if you have the required expert knowledge and suitable tools.

*A lack of specialist knowledge or the use of unsuitable tools can cause accidents.*

### **Protect the machine from being started up accidentally**

If the machine is coupled, only carry out repair and maintenance work and only rectify malfunctions on it if:

- The PTO stub shaft is off
- The engine is switched off
- The ignition key is removed

*Serious accidents may be caused if the machine starts accidentally.*



### **Welding work**

Welding work may only be carried out by persons trained in welding who also have specialist knowledge of repairing agricultural machinery. Welding work which negatively impacts the machine's construction is prohibited.

*Incorrect welding work could impair or destroy the machine's function. If in doubt, contact your dealer before carrying out any welding work.*

### **Use replacement parts with identical properties**

Many components have special properties that are essential for the stability and correct operation of the machine.

When replacing components, dimensions, stability and material quality must be guaranteed. We recommend the exclusive use of original replacement parts.

*Use of replacement parts which do not correspond to requirements could cause damage to the machine or impaired performance.*

## Protective measures when handling oils or lubricants

Additives in oils and lubricants may have adverse effects on health. Since the hazardous material code does not require any special identification, please always observe the following:



### **Avoid skin contact**

Avoid skin contact with these materials.  
*Contact can result in skin damage.*

### **Protect your skin**

When handling oils and lubricants, protect your skin with lotion or wear oil-resistant gloves.  
*Oils can be hazardous to your health.*

### **Do not use oils for cleaning**

Do not use oils or lubricants to clean your hands.  
*Swarf and abraded material in these materials can also result in injuries.*

### **Change out of soiled clothing**

Change out of clothing that is heavily soiled with oil as soon as possible.  
*Oils can be hazardous to your health.*



- Collect old oil and dispose of it in accordance with statutory regulations.
- If your skin becomes irritated by oil or lubricants, contact a doctor immediately.

## General information

This information relates to general maintenance work. For all maintenance work, the machine must be locked in the work position. If it is necessary to put the machine in its transport position for maintenance work, you will see an appropriate reference in the maintenance instructions.



### **Working with the grease gun:**

One or two strokes with the grease gun are sufficient for lubrication. If you feel resistance during the second stroke of the grease gun, do not complete it.

Too much grease will force the bearings apart. This could allow dust and dirt to enter the bearing, resulting in premature wear.



Our recommendation: Do not use electric or pneumatic grease guns. The pressure with which grease is forced into the lubrication points can severely damage or destroy bearings.

# Maintenance

## Fundamentals

The following table contains a brief explanation of the most important terms used for maintenance.

Task	Version
Greasing	<ul style="list-style-type: none"><li>• Apply grease to the slide surfaces using a brush</li></ul>
Lubrication	<ul style="list-style-type: none"><li>• 1 - 2 Unless specified otherwise, one or two strokes with the grease gun provide sufficient lubrication</li></ul>
Oiling	<ul style="list-style-type: none"><li>• Unless otherwise specified, use only vegetable-based oil such as rapeseed oil</li><li>• Mineral oils are not suitable</li><li>• The use of used oil will endanger your health and is also strictly prohibited</li></ul>
Replacement	<ul style="list-style-type: none"><li>• Replace the component in question according to the instructions in the »Maintenance« chapter</li></ul>
Check	<ul style="list-style-type: none"><li>• An inspection may be required in conjunction with the replacement of the component in question</li></ul>
Observe the maintenance intervals	<ul style="list-style-type: none"><li>• All information is based on average machine usage</li><li>• In the case of heavy usage (e.g. contract work), shorten the maintenance intervals accordingly</li><li>• Shorter maintenance intervals may also be required under extreme working conditions (e.g. heavy dust generation)</li></ul>



## Screwed connections

### Retighten screws

All bolts must be retightened:

- After the first hours of operation
- According to the frequency of use
- But at least once a season

### General tightening torques

Tighten all screwed connections in accordance with the information in the table. If different tightening torques are necessary, they are specified in the chapter »Maintenance«. The minimum quality of the bolts is 8.8.

Bolt size	Quality of the bolts		
	„8.8“	„10.9“	„12.9“
	<b>Tightening torques in Nm</b>		
M6	9.9	14	17
M8	24	34	41
M10	48	68	81
M12	85	120	145
M16	210	290	350
M20	425	610	710
M24	730	1050	1220

# Maintenance

## Maintenance intervals and setting work

The information relates to average usage under the machine's normal operating conditions. Maintenance intervals are shorter for heavy usage, such as with hire companies, or for extreme operating conditions such as very dusty environments.

	After the first hours of operation	Once daily	After 24 operating hours	After 50 hours of operation	Once per season	As required	In case of wear	grease / oil / lubricate	Check	Replacement	Cleaning
<b>General</b>											
Retighten all screws	•					•					
Visual inspection	•	•									
Bearing			•			•		•			
Pivots			•						•		
<b>Hydraulics</b>											
Hydraulic hoses Every 6 years										•	
Hydraulic hoses General						•	•			•	
Hydraulic cylinder			•			•		•	•		
<b>Tools</b>											
Fastenings on the rotor		•							•		
Condition, wear		•						•	•		•
<b>Lubrication points</b>											
swivel arm			•					•			
Start-up cylinder			•					•			
support arm			•					•			
Housing			•					•			
Drive bearing				•				•			
toggle joint			•					•			
connecting rod			•					•			
Hydraulic cylinder			•					•			
Support roller		•						•			
Position of rotor		•						•			
Support roller bearing		•						•			
support arm			•					•			

	After the first hours of operation	Once daily	After 24 operating hours	After 50 hours of operation	Once per season	As required	In case of wear	grease / oil / lubricate	Check	Replacement	Cleaning
<b>Other</b>											
Shafts and pins			•					•			
PTO shaft Protective cover		••				••		••	••	••	••
Transmission oil			•		•				•	•	

# Maintenance

## Lubricating work

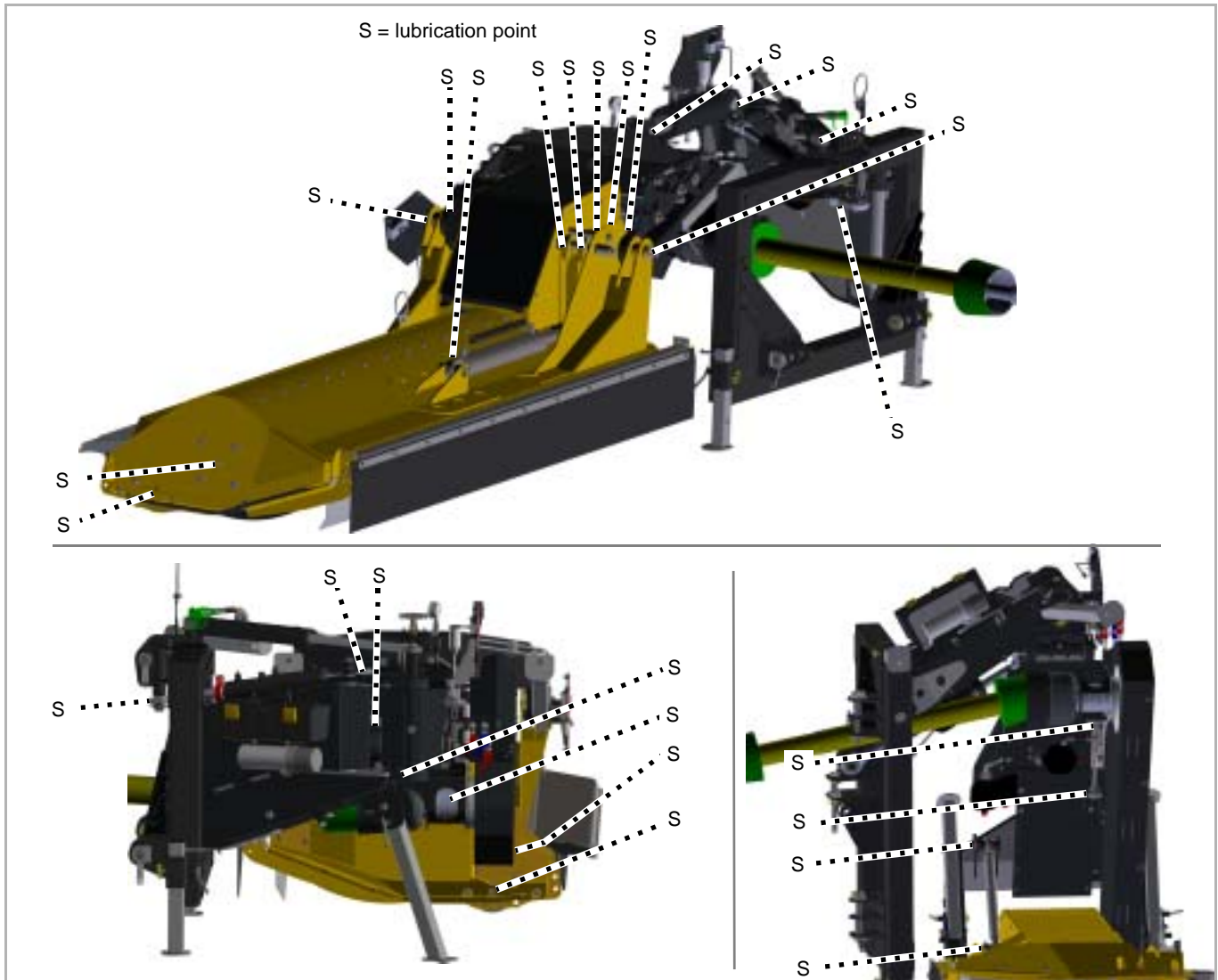
### Lubricate bearings

The bearings must be lubricated regularly. Lubricate only with one or two strokes from the grease gun:

- According to the maintenance chart
- After heavy use
- But at least once a season

Bearings that require no maintenance must not be lubricated.

## Overview of lubrication points



## Other lubrication points

The following applies:

- In addition to the lubrication points shown in this operating manual, your machine may have other lubrication points
- As a rule, lubrication points are located at pivots or bearings. Therefore, inspect your entire machine for any such additional lubrication points.



The location of the lubricating nipple is usually shown on one component as an example. If multiple components of this kind exist, the lubricating nipples have to be lubricated at each of these components.

# Maintenance

## PTO shaft

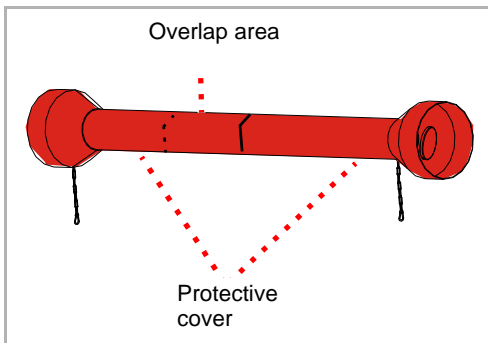
The PTO shafts are heavily stressed. This means that regular maintenance is decisive for the PTO shafts' service life. Only the most important work is shown here.

Full maintenance work on the PTO shaft:

→ PTO shaft operating manual

## Checking

### Daily



- ▶ Check the PTO shaft for contamination and clean if required. Dust in conjunction with oil and grease results in increased wear

### If the PTO shaft is heavily contaminated:

- ▶ Clean PTO shaft
- ▶ Grease the interior of the overlap area of the protective cover

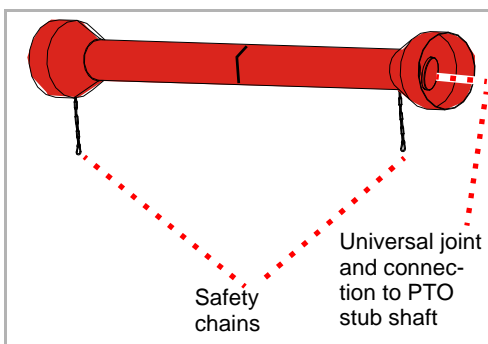
→ PTO shaft operating manual

- ▶ Check protective cover for damage

### If the protective cover is damaged:

- ▶ Replace protective cover

→ PTO shaft operating manual



- ▶ Check presence and correct function of safety chains

### If the safety chains are not present or are heavily worn:

- ▶ Replace the safety chains

→ PTO shaft operating manual

- ▶ Check the PTO shaft for wear in the universal joints and at the connection to the PTO stub shaft

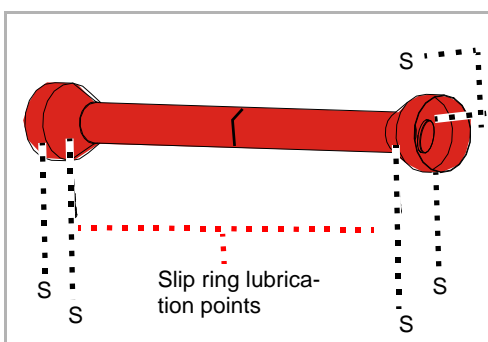
### If the universal joints are heavily worn:

- ▶ Replace the universal joints

→ PTO shaft operating manual

## Lubrication

### Every 50 hours of operation



In case of heavy usage or in extreme operating conditions, such as a very dusty environment, more frequent lubrication is required.

- ▶ Lubricate in the universal joint with 1 - 2 strokes of the grease gun.
- ▶ Lubricate on the slip rings with 1 - 2 pumps of the grease gun

### For wide-angle PTO shafts:

The wide-angle joint contains a lubricant reserve which must be filled with 400-500 g [14-17 OZ] of grease.

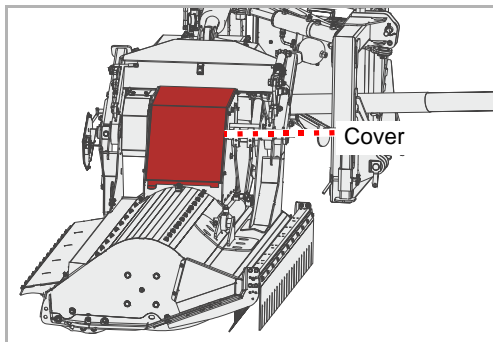
- ▶ Lubricate with at least 5-6 pumps of the grease gun

→ PTO shaft operating manual

## Transmission oil

The gearbox oil must conform to the specification.

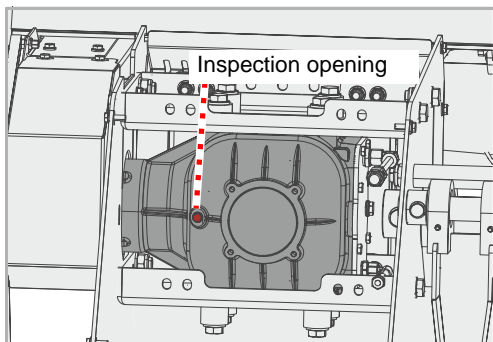
→ Chapter »Familiarising yourself with the machine« paragraph »Technical specifications«, page 25



- ▶ Remove the cover
- ▶ After carrying out the work, attach the cover again

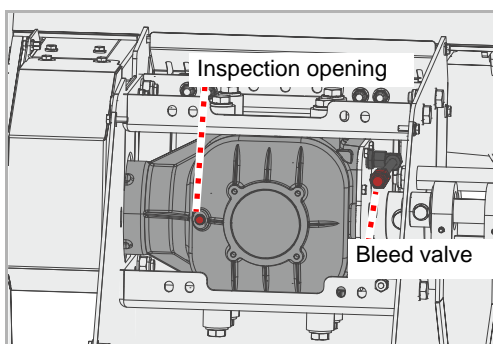
## Check

Twice per season



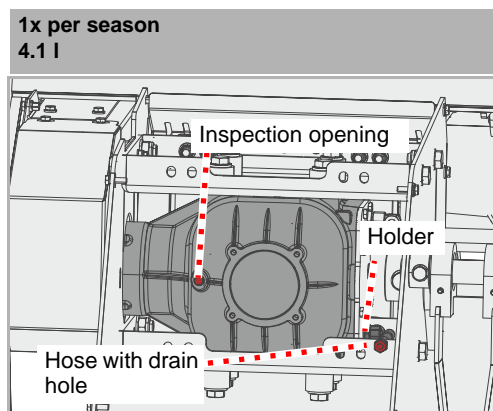
- ▶ Loosen the screw on the inspection opening with an Allen key and remove the screw
- ▶ Check the oil level. The oil level must reach the lower edge of the inspection opening.
- ▶ Retighten the screw at the inspection opening

## Refilling



- ▶ Loosen the screw on the inspection opening with an Allen key and remove the screw
- ▶ Unscrew the bleed valve
- ▶ Use a funnel to fill with gear oil of the appropriate specification until the oil level reaches the lower edge of the inspection opening
- ▶ Retighten the screw at the inspection opening
- ▶ Screw the bleed valve back in

## Replacement



The gear box is equipped with a hose for draining the oil.

- ▶ Loosen the screw on the inspection opening with an Allen key and remove the screw
  - ▶ Have a collection container ready for the oil
  - ▶ Undo and remove the bolt on the holder
  - ▶ Loosen the cap on the hose outlet
  - ▶ Hold a collection container under the outlet for the waste oil
  - ▶ Allow the oil to drain out fully
  - ▶ Replace the screw at the outlet
  - ▶ Reattach the hose to the holder
  - ▶ Refill with new gear oil
- Section »Refilling«



## Tools

As required

The tools must be replaced if they:

- Are damaged
- Are heavily worn
- The bore on the tool is worn
- The fastening screws or the fastening nuts are worn

It is important that the rotor runs without unbalance. Therefore:

- Always replace tools with the same type
- Always replace tools opposite each other at the same time
- In case of wear it is best to replace the entire set of tools



### Secure the machine

Work can only be carried out on a machine secured against rolling away and dropping. To prevent dropping, for example, permitted and correctly dimensioned support legs can be used.

*If the machine is not secured against rolling away and dropping, serious or fatal accidents could result.*

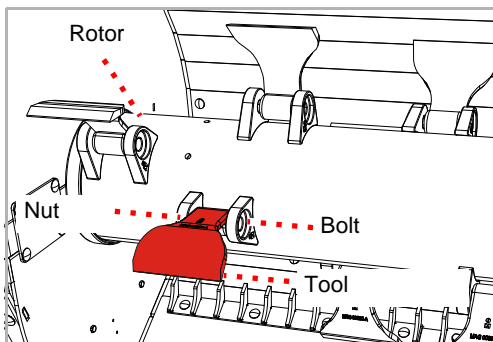


### New tools – new nuts and bolts

When replacing the tools, the nuts and bolts must also be replaced. *If the nuts and bolts are not replaced, the worn bolts may break. Tools may become detached during work and be flung out. Even persons outside of the hazard area could be seriously injured or killed.*

- ▶ Secure the machine against rolling away and dropping

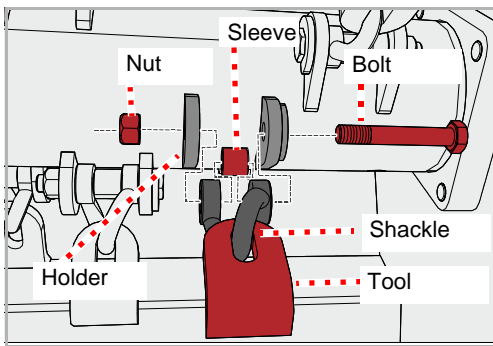
## M-hammer flail



- ▶ Loosen the nuts and remove the bolts
- ▶ Remove old tool
- ▶ Replace new tool in the same manner. If washers were present, insert new washers. Pay attention to the fit of the washers.
- ▶ Fit a new screw and secure with a new nut

# Maintenance

## M shackle blade



- ▶ Secure the machine against rolling away and dropping
- ▶ Loosen the nuts and remove the bolts
- ▶ Remove the old tool and shackle
- ▶ Remove the sleeve and check for damage

### If the sleeve is damaged or worn

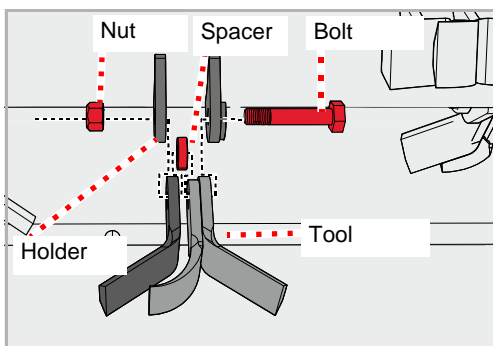
- ▶ Replace the sleeve
- ▶ Refit the sleeve
- ▶ Check the bolt for damage

### If the bolt is damaged or worn

- ▶ Replace the bolt

- ▶ Fit the new tool and the new shackle in the same way. If washers were present, insert new washers. Pay attention to the fit of the washers.
- ▶ Fit a new screw and secure with a new nut

## Triple Y-blade



- ▶ Secure the machine against rolling away and dropping
- ▶ Loosen the nuts and remove the bolts
- ▶ Remove the old tool and distance piece
- ▶ Fit the new tool and distance piece in the same way. Ensure that the retainer fits correctly.
- ▶ Fit a new screw and secure with a new nut

## V-belt

As required

### Checking

If the V-belt is not sufficiently tensioned, it must be retensioned. If there are any cracks or the V-belt is damaged, it must be replaced.

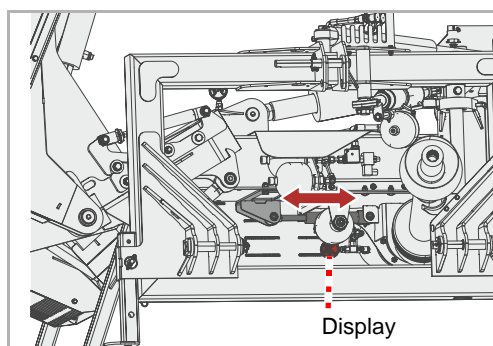
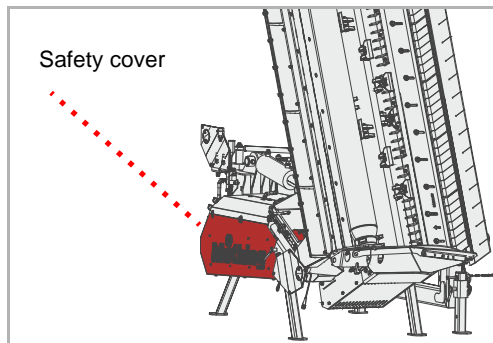
There are two V-belts on the machine.

- Long V-belt from PTO shaft drive to gear box
- Short V-belt from gear box to rotor

### Long V-belt

The long V-belt is tensioned via a hydraulic cylinder.

- ▶ Remove the safety cover
- ▶ Inspect the V-belt for damage
- ▶ Reassemble the safety cover



- ▶ Check drive belt tension: The display should show about 120 bar

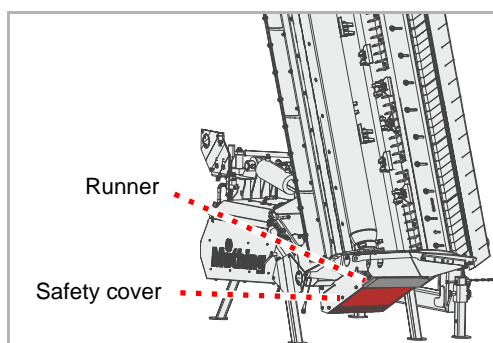
**If the display shows less than 100 bar:**

- ▶ Have the drive belt tension adjusted to the correct value at a specialist workshop

### Short V-belt

The short V-belt is tensioned by a spring.

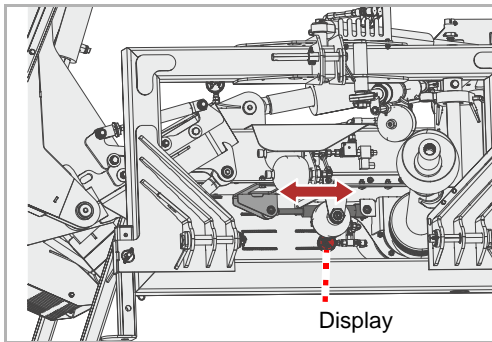
- ▶ Remove the safety cover
- ▶ Remove runner
- ▶ Inspect the V-belt for damage
- ▶ Check the tension of the V-belt. The drive belt must not be able to be pushed through more than 10 mm under a load of 6 kg.
- ▶ Reassemble the safety cover
- ▶ Fit runner again



# Maintenance

## Tensioning

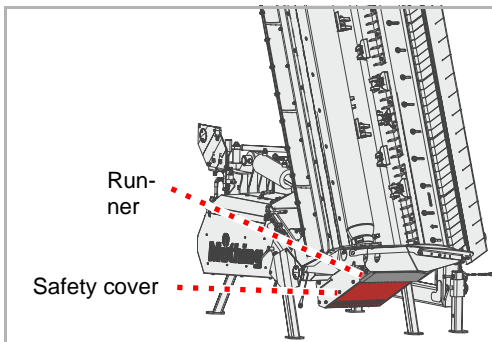
### Long V-belt



**If the display shows less than 100 bar:**

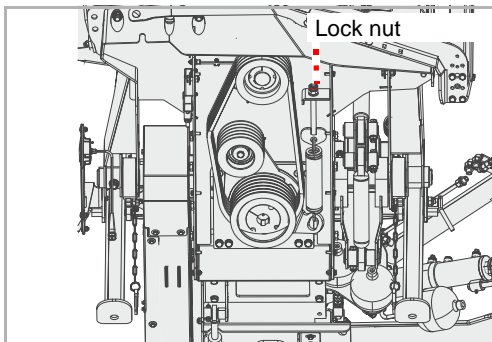
- ▶ Have the drive belt tension adjusted to the correct value at a specialist workshop

### Short V-belt

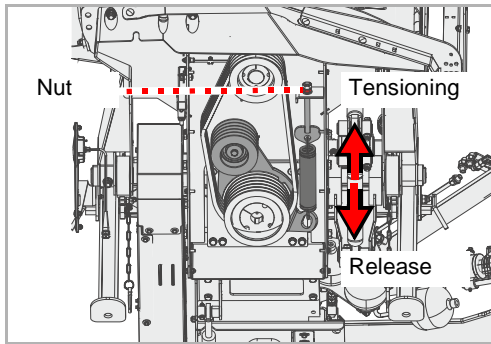


The tension jack is tensioned by a spring. This enables the V-belt to remain correctly tensioned for longer

- ▶ Remove the safety cover
- ▶ Remove runner



- ▶ Loosen the lock nut

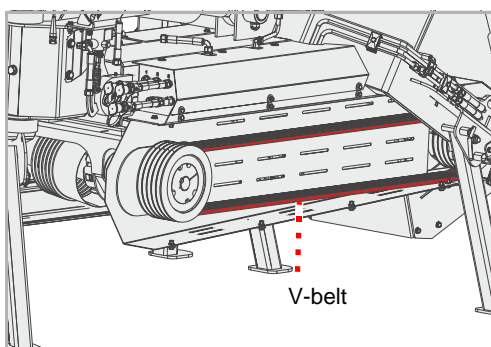


- ▶ Use the nut to set the drive belt tension as required
- ▶ Retighten the lock nuts
- ▶ Reassemble the safety cover
- ▶ Fit runner again

## Replacement

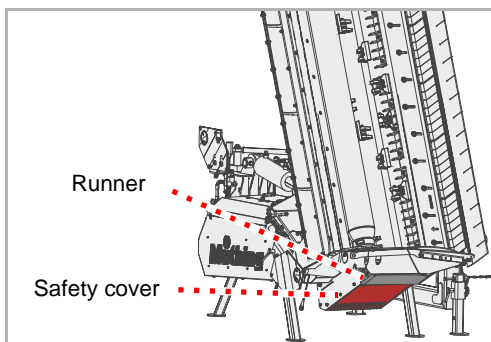
If there are any tears or other damage on the V-belt, it must be replaced.

### Long V-belt



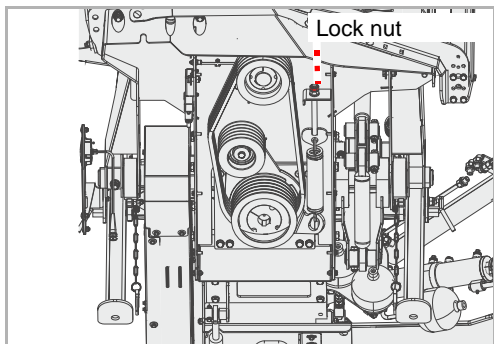
- ▶ Have the V-belts replaced at a specialist workshop. Special tools are required for setting the correct drive belt tension.

### Short V-belt

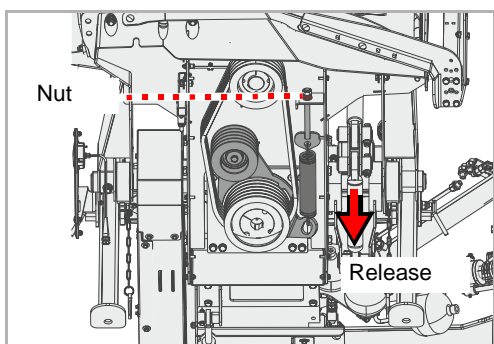


- ▶ Remove the safety cover
- ▶ Remove runner

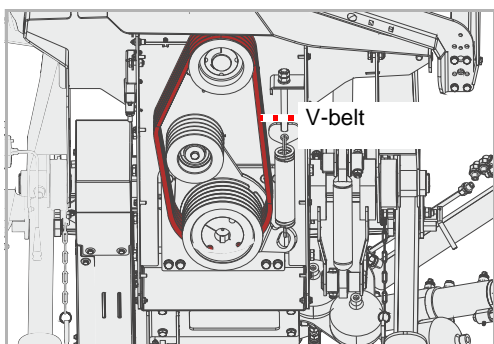
# Maintenance



- ▶ Loosen the lock nut



- ▶ Relieve the tension on the V-belt using the nut



The drive belt unit consists of five narrow drive belts.

- ▶ Remove the old V-belts.
  - ▶ Fit the new V-belts
  - ▶ Check the V-belt for correct positioning
  - ▶ Tension the V-belt
- Section »Tensioning«, Page 69
- ▶ Reassemble the safety cover
  - ▶ Fit runner again

## Runners

As required

The runners protect the machine from direct contact with the ground. If they are not replaced in good time, the housing of the machine will be damaged.



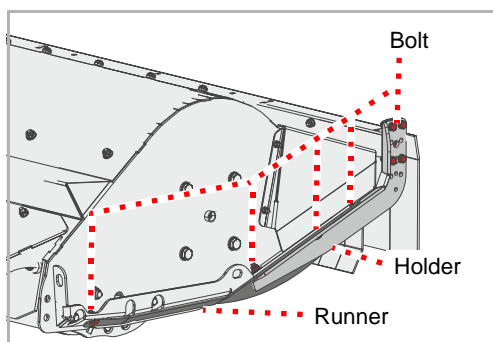
The replacement of the runners in connection with the additional stone chipping guard is described here. Without the additional stone chipping guard, there is no need to remove the holder.



### Secure the machine

Work can only be carried out on a machine secured against rolling away and dropping. To prevent dropping, for example, permitted and correctly dimensioned support legs can be used.

*If the machine is not secured against rolling away and lowering, serious or fatal accidents could result.*



- ▶ Undo nuts, remove screws and washers.

### With additional protective device:

- ▶ Remove holder

- ▶ Remove old runner
- ▶ Fit new runner

### With additional protective device:

- ▶ Re-install holder

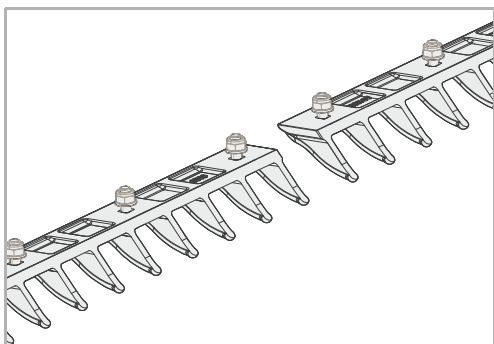
- ▶ Fit new screws and washers
- ▶ Secure screws with new nuts

### If the runner also needs to be replaced on the opposite side:

- ▶ Replace the runner on the opposite side as well

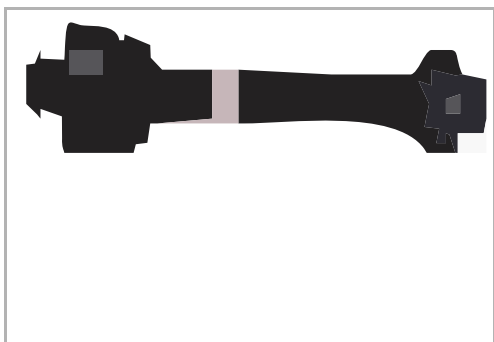
# Accessory

## short-chopping bar



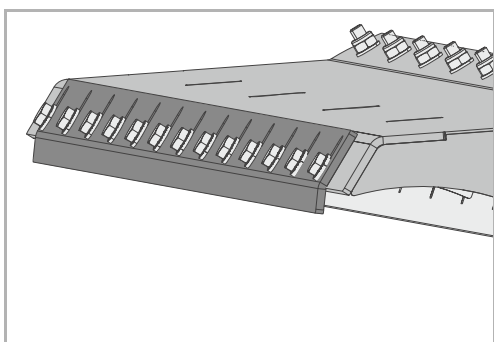
A second counter-cutter makes work easier if the material to be mulched in the field is very long. They guide the material towards the tools, thereby making better cutting possible.

## Wide-angle PTO shaft



A wide-angle PTO shaft allows a larger deflection angle between the tractor and the machine. The service life of the PTO shaft is longer and the drive of the machine is protected by smooth running.

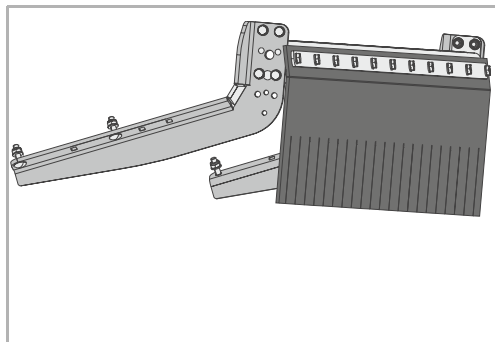
## Discharge extension



A discharge extension is needed for depositing the cuttings front of the support roller.

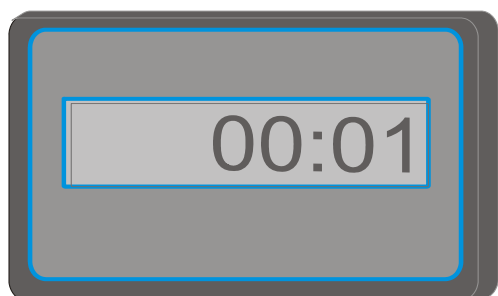


## Stone Guard



For using the machine on very stony soils, we recommend that an additional stone guard is fitted.

## Operating hours counter



An electronic operating hours counter displays the actual operating duration. This means that data can be recorded precisely and used, for example, for calculations.

# Fault elimination

Faults can often be eliminated quickly and easily. In the event of hydraulic problems, first check:

- Are the hydraulic hoses properly connected?
- Is the control valve at the tractor defect?  
If so, contact your dealer.
- Is the hydraulic pump of the tractor defective?  
If so, contact your dealer.

Before calling Customer Service, refer to the table below to check whether the fault is one you can eliminate yourself.

Fault	Cause	Remedy
Strong vibrations and high noise development	Tools are worn	Replace the tools
	One or more tools are missing	Replace tools
	Tools are damaged	Replace the tools
	Bearings for the rotor are worn	Have the bearings replaced
	Foreign bodies, such as wire, are wound around the rotor	Remove foreign bodies
	Tools have become loose	Tighten nuts on screws
	Speed of rotation of the PTO stub shaft is not set correctly	Set the correct speed of rotation on the PTO stub shaft
	Rotor not correctly counterbalanced	Check balancing and rebalance the rotor if necessary
Tools wearing quickly	The tools are working too deeply	Set correct working depth
Material cut too rough and cut material not distributed evenly	Drive speed too high	Reduce the drive speed
	The tools are working too deeply	Set correct working depth
	The tools are working too high	Set correct working depth
	V-belt worn	Replace V-belt set
	V-belt not correctly tensioned	Check V-belt tension and retension if necessary
	Speed of rotation of the tractor PTO stub shaft is too low	Increase the rpm
	Tools are worn	Replace the tools
	The machine is not standing parallel to the ground	Adjust the machine correctly
Rotor does not turn	Rotor is blocked by a foreign body	Remove foreign bodies
	The PTO shaft is free-wheeling or the gear box is incorrectly assembled.	Have the free running state correctly assembled

Fault	Cause	Remedy
PTO shaft rotating, rotor is not	V-belt torn	Replace the V-belt
Unusual noises from the PTO shaft	Insufficient lubrication	Lubricate the PTO shaft
Gear box overheating	Incorrect oil specification	Change oil and select oil with correct specification
	Oil too old	Change oil
	Oil level too low	Fill the oil to the lower edge of the inspection opening
	Machine overload	Maintain rpm in correct region, adjust driving speed to suit the work, maintain performance area (avoid excessively heavy growth or excessively thick branches)
High wear on V-belts V-belts running hot Power transmission not optimal	The tools are working too deeply and touching the ground	Set correct working depth
	Pulleys not aligned in parallel	Have pulleys correctly aligned
	V-belt is worn	Replace the V-belt
	V-belt is not correctly tensioned	Check the tension jack
Loss of oil at gear box or at centre bearing	Sealing rings worn or damaged	Have sealing rings replaced
Drive elements broken	Machine was started up abruptly or is blocked by foreign bodies	Have defective drive element replaced. Start the machine up slowly.

# Disposal of the machine

When the service life of your machine is over, it must be disposed of properly. Please observe currently valid disposal regulations.

## **Metal parts**

All metal machine components can be sent for metal recycling.

## **Plastic parts**

All plastic parts are marked and can be recycled.

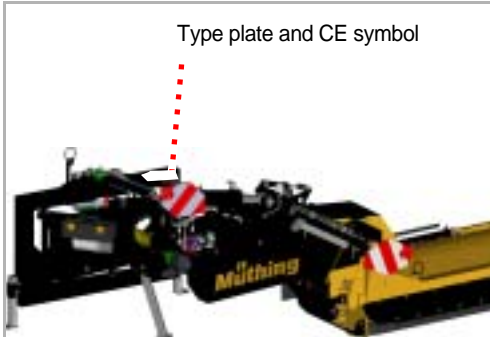
## **Oil**

Collect oil from the hydraulic system and gear box in a suitable container and dispose of at a used oil collection facility.

# EU-conformity declaration

EC Directive  
2006/42/EG

Müthing GmbH & Co. KG Soest  
Am Silberg 23  
D-59494 Soest



assumes sole responsibility for declaring that the following product complies with EC Directive 2006/42/EC:

MU-M/S+ Vario and additional equipment

Assorted samples of harmonized standards:

- DIN EN ISO 4254-1
- DIN EN ISO 4254-12
- DIN EN 13524

Soest, 19.05.2023

Andreas Rohde  
CEO and authorised person for compiling technical documentation

Copy of the type plate/serial number entry

Machine type: Flail mower

Machine Name:

Working width:

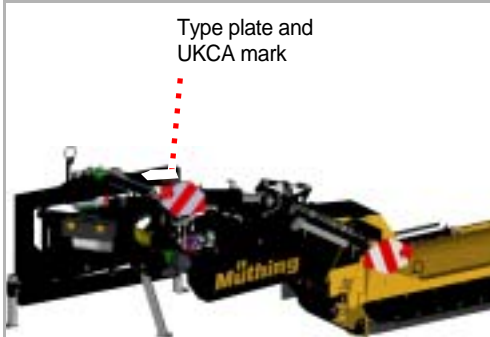
Serial number:

Year of construction:

# UK Declaration of Conformity

UKCA

**Müthing GmbH & Co. KG Soest**  
**Am Silberg 23**  
**D-59494 Soest**  
**Germany**



declares under sole responsibility that the machine conforms with the following directives:

- Supply of Machinery (Safety) Regulations 2008

Assorted samples of harmonized standards:

- BS EN ISO 4254-1
- BS EN ISO 4254-12
- BS EN 13524

Machine designation	MU-M/S+ Vario and additional equipment
---------------------	--

The special technical documents corresponding to the machine have been created according to Annex VII, Part B.

Soest, 19.05.2023



Andreas Rohde  
CEO and authorised person for compiling technical documentation

Copy of the type plate/serial number entry

Type of machine: Mulcher

Model:

Working Width:

Machine ID:

Production Year:

<b>A</b>			
Accessory	72		
Discharge extension	72		
Operating hours counter	73		
short-chopping bar	72		
Stone Guard	73		
Wide-angle PTO shaft	72		
Assembly	24		
<b>C</b>			
Care	47		
Centre of gravity	16		
Cleaning	47		
Collision protection	38		
Connecting			
Electrics	31		
Hydraulics	31		
PTO shaft	30		
<b>D</b>			
Declaration of Conformity	77		
Depositing the cut material	34		
Behind the support roller	34		
In front of the support roller	35		
Direction information	14		
Disposal			
Metal parts	76		
Oil	76		
Plastic parts	76		
Driving on the road	39		
<b>E</b>			
Electrics			
Connecting	31		
Employer	8		
<b>F</b>			
Fault	74		
Features	23		
<b>H</b>			
Headland setting	46		
Hydraulics			
Connecting	31		
<b>I</b>			
Instruction		8	
<b>L</b>			
labels, see warning signs			
<b>M</b>			
Machine			
Storing		53	
Maintenance			
General information		55	
Lubricate bearings		60	
Maintenance intervals		58	
Overview of lubrication points		61	
PTO shaft		62	
Runners		71	
Safety		54	
Mulching			
Work position		41	
<b>O</b>			
Operation panel		46	
<b>P</b>			
Parking		48	
Pictograms		9	
Protective procedure			
Oils or lubricants		55	
PTO shaft			
Connecting		30	
<b>R</b>			
Range of application		22	
Double Y-blade		22	
Hammer flail		22	
M shackle blade		22	

# Index

## S

Safety	10
Agricultural training	14
Altered driving and braking performance	18
Care and maintenance work	20
Centre of gravity	16
Check the screwed connections	21
Cleaning	21
Coupling	15
Proper use	22
Putting the machine into operation	18
Riding on the machine	18
Total weight	16
Uncoupling the machine	20
Warning signs	10
Welding work	21
Scope of delivery	27
Scraper	37
Screwed connections	57
Setting down the machine in a secure position	
Transport position	48
Work position	48
Supporting legs	49
Symbols	9

## T

Target group	8
Task	43
Technical specifications	25
Tightening torques	
General	57
Transport without coupling	40

## U

UK Declaration of Conformity	78
------------------------------	----

## W

Warning signs	10, 40
Meaning	12
Work position	
Mulching	41
Working width	32







